

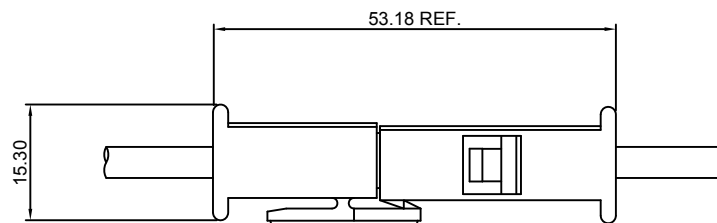
Specifications

Current rating:20A AC,DC
Voltage rating:600V AC,DC
Temperature range:-40°C~+105°C
Contact resistance:10mΩ Max.
Insulation resistance:1000MΩ Min.
Withstanding voltage:1800V AC/minute
Compliant with RoHS and REACH
*Meet the HF/Halogen Free,GWT/Glow wire
Test (IEC60335-1) request,need to
customize*
Contact CJT for details

Standards



Assembly layout

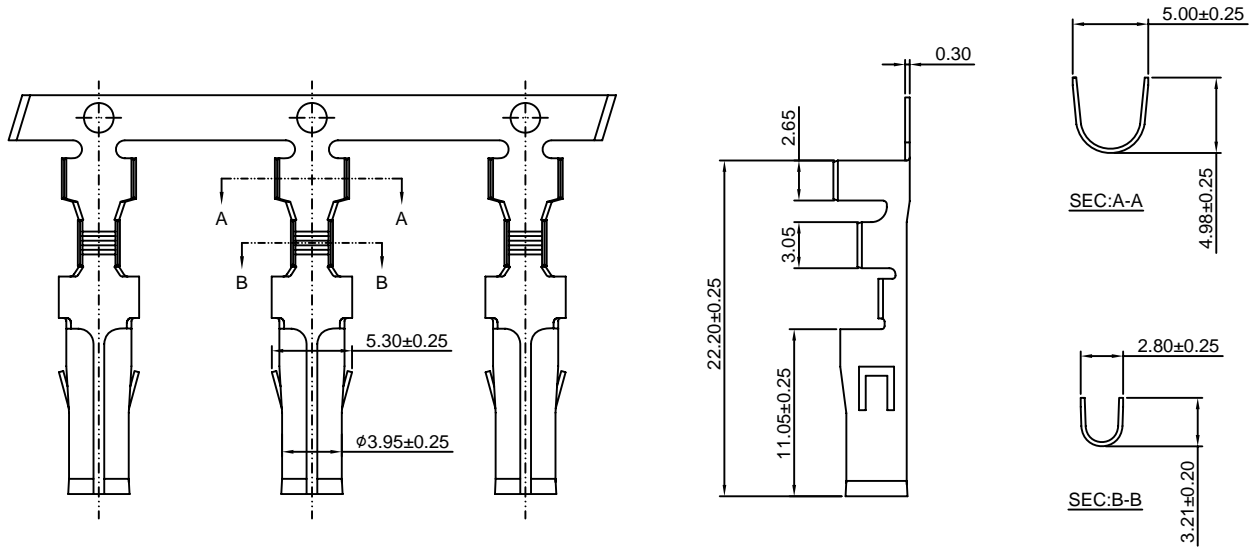


C8381F-T

8.38mm pitch Crimp Terminal

Reference Informations:

*Used in CJT C8381HF-XP series Housing



Ordering information & Specifications:

Unit:mm

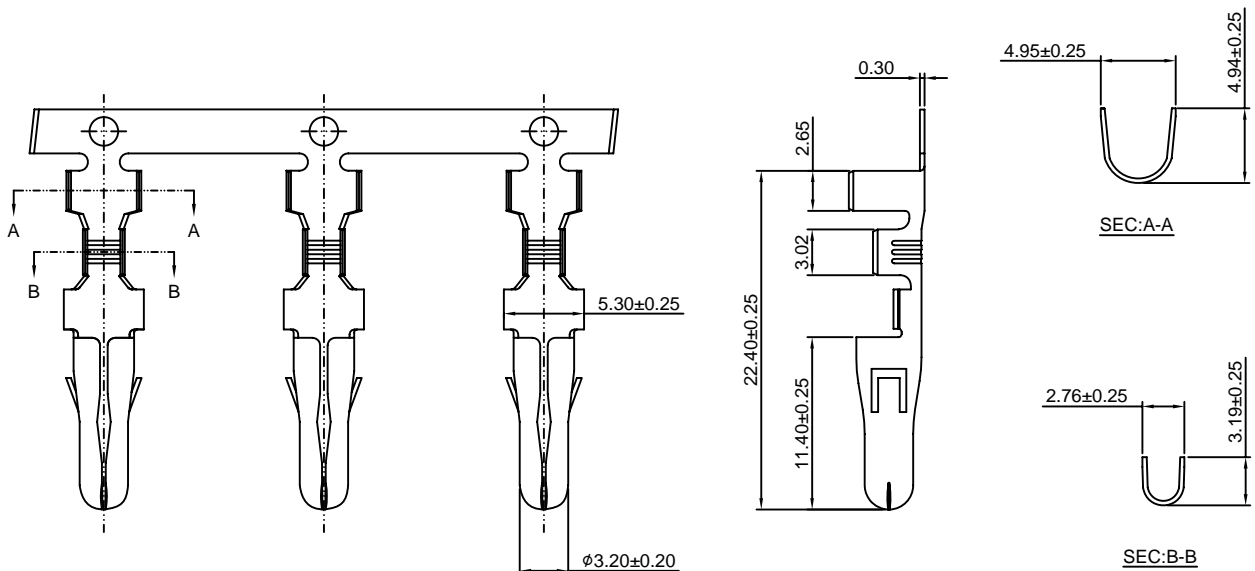
Part NO.	Wire Range	Insulation O.D.	Material	Finish	Qty/reel
C8381F-TB	AWG#16-#18	3.10mm(max)	Brass	Tin over Nickel	3,000 PCS

C8381M-T

8.38mm pitch Crimp Terminal

Reference Informations:

*Used in CJT C8381HM-XP series Housing



Ordering information & Specifications:

Unit:mm

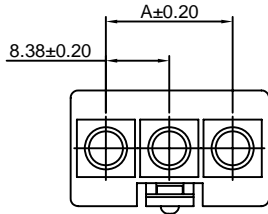
Part NO.	Wire Range	Insulation O.D.	Material	Finish	Qty/reel
C8381M-TB	AWG#16-#18	3.10mm(max)	Brass	Tin over Nickel	3,000 PCS

C8381HF-XP

8.38mm pitch Housing

Reference Informations:

- *Material:Nylon 66,UL94V-2
- *Suitable CJT C8381F-T series Terminal
- *Mates with CJT C8381HM-XP series Housing
- *Color:Natural



Ordering Information:

C8381HF-XP - ***
1 2

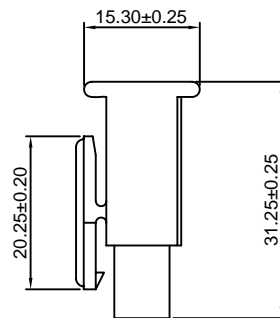
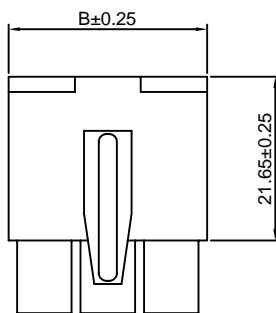
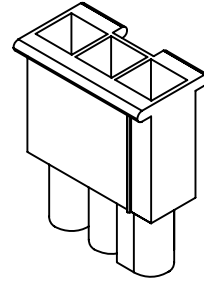
1.Part No.

2.Material:

(blank):Nylon 66,UL94V-2/Natural

V0:Nylon 66,UL94V-0/White

GWT:Nylon 66,UL94V-0,GWT 750°C



Ordering Information & Dimensions:

PART NO.	Dimensions	
	A	B
1P	----	9.29
2P	8.38	17.67
3P	16.76	26.05
4P	25.14	34.43

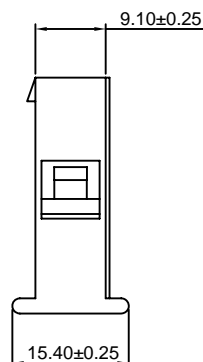
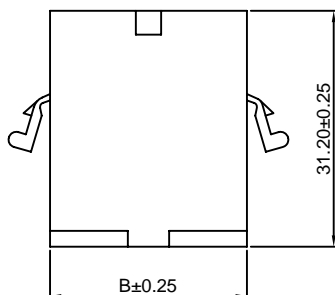
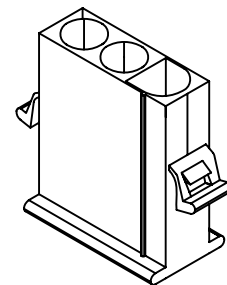
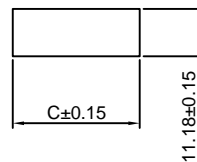
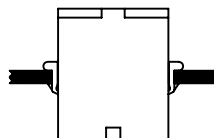
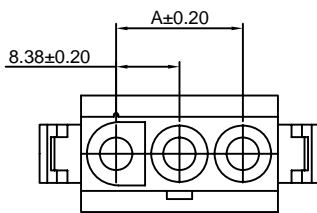
Unit: mm

C8381HM-XP

8.38mm pitch Housing

Reference Informations:

- *Material:Nylon 66,UL94V-2
- *Suitable CJT C8381M-T series Terminal
- *Mates with CJT C8381HF-XP series Housing
- *Color:Natural



Ordering Information:

C8381HM-XP - ***
1 2

1.Part No.

2.Material:

(blank):Nylon 66,UL94V-2/Natural

V0:Nylon 66,UL94V-0/White

GWT:Nylon 66,UL94V-0,GWT 750°C

Ordering Information & Dimensions:

PART NO.	Dimensions		
	A	B	C
1P	----	9.29	13.24
2P	8.38	17.67	21.62
3P	16.76	26.05	30.00
4P	25.14	34.43	38.38

Unit: mm