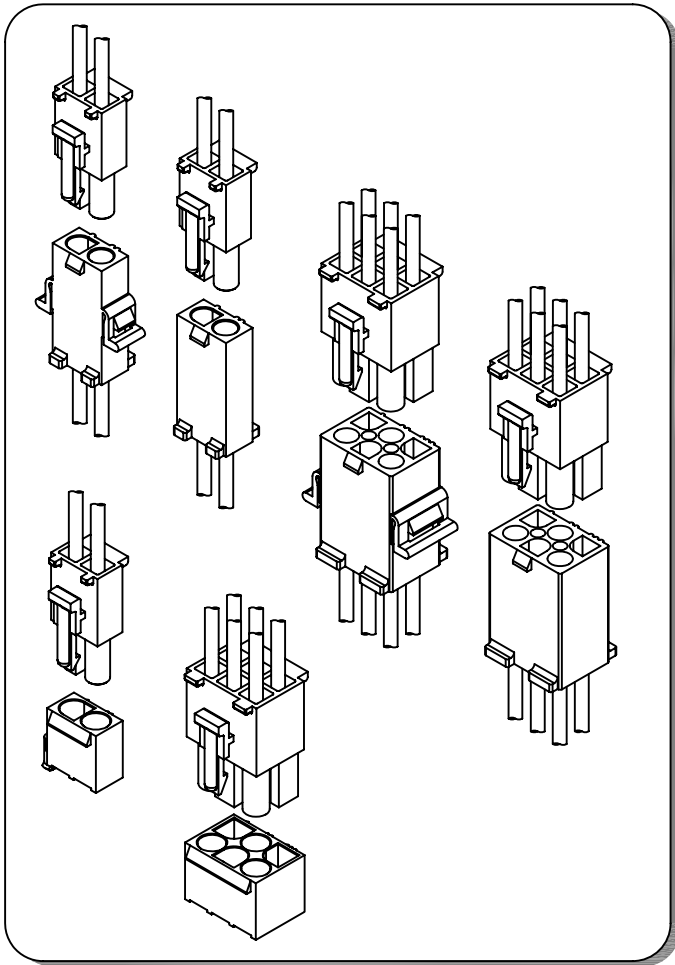


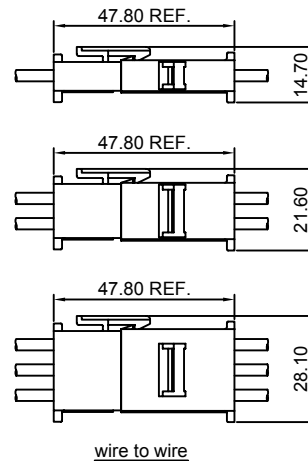
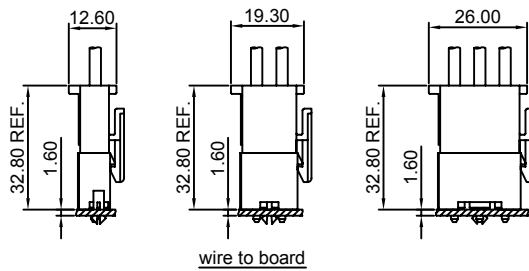
Specifications

- Current rating: 12A AC, DC
- Voltage rating: 600V AC, DC
- Temperature range: -40°C ~ +105°C
- Contact resistance: 10mΩ Max.
- Insulation resistance: 1000MΩ Min.
- Withstanding voltage: 1500V AC/minute
- *Compliant with RoHS and REACH*
- *Meet the HF/Halogen Free, GWT/Glow wire Test (IEC60335-1) request, need to customize*
- *Contact CJT for details*

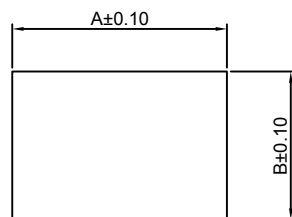
Standards



Assembly layout



Panel hole layout



| PART NO. | Dimensions | |
|--------------|------------|-------|
| | A | B |
| C2363HM-1P | 14.20 | 9.80 |
| C2363HM-2P | 20.90 | 10.00 |
| C2363HM-3P | 27.20 | 10.00 |
| C2363HM-4P | 34.30 | 10.00 |
| C2363HM-2x3P | 27.90 | 17.30 |
| C2363HM-3x3P | 28.40 | 23.70 |
| C2363HM-3x4P | 35.40 | 23.70 |
| C2363HM-3x5P | 41.90 | 23.70 |

Unit:mm

C2363H

6.70mm Pitch Housing

Reference Informations:

- *Material: Nylon 66, UL94V-2
- *C2363HM (Suitable Terminal: C5030M-T(-H), C5030ML-T(-H))
- *C2363HF (Suitable Terminal: C5030F-T(-H))
- *Color: Natural

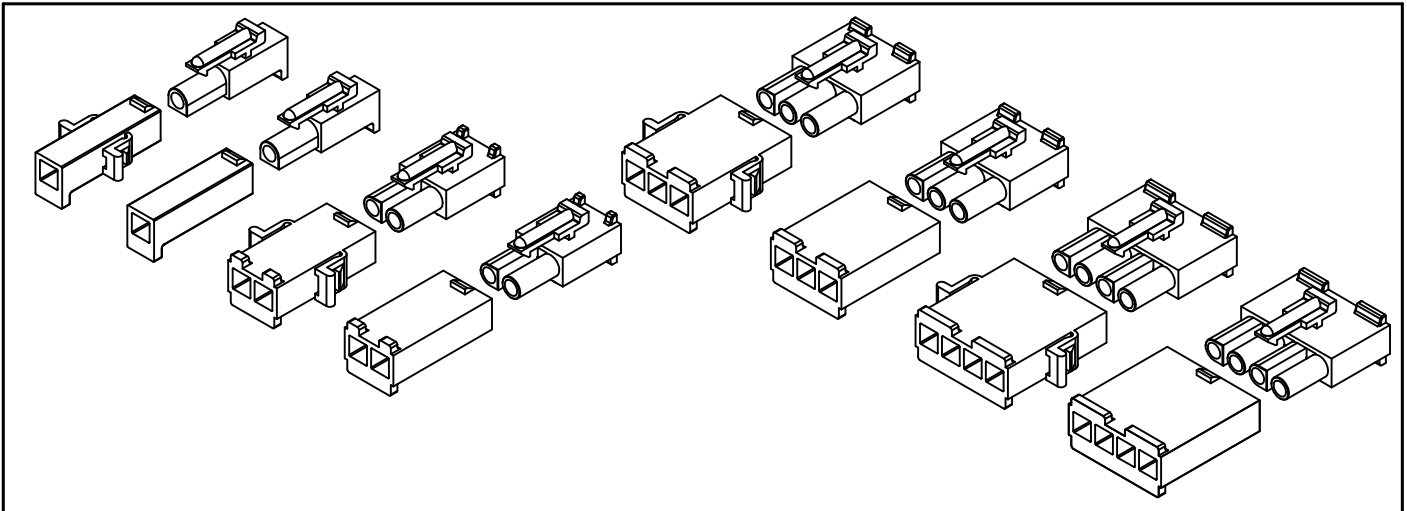
Ordering Information:

- C2363HF-XP - ***
 1 2
 1. Part No.
 2. Material/Color:
 (blank): Nylon 66, UL94V-2/Natural
 V0: Nylon 66, UL94V-0/White
 GWT: Nylon 66, UL94V-0, GWT 750°C

Ordering Information:

- C2363HM<HMA>-XP - ***
 1 2
 1. Part No.
 2. Material/Color:
 (blank): Nylon 66, UL94V-2/Natural
 V0: Nylon 66, UL94V-0/White
 GWT: Nylon 66, UL94V-0, GWT 750°C

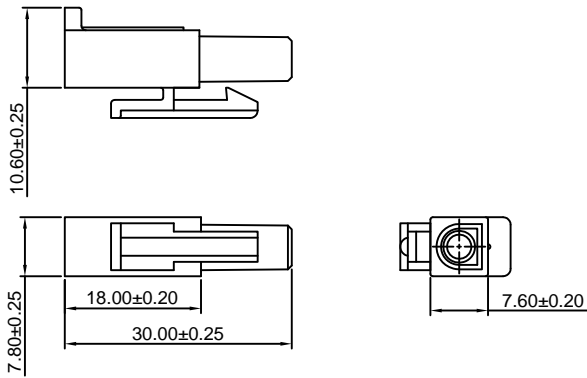
Unit: mm



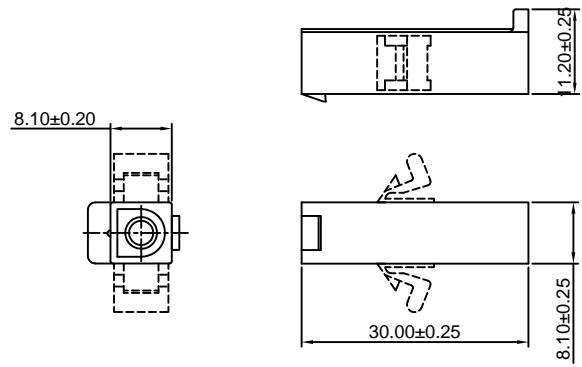
C2363HF

C2363HM<HMA>

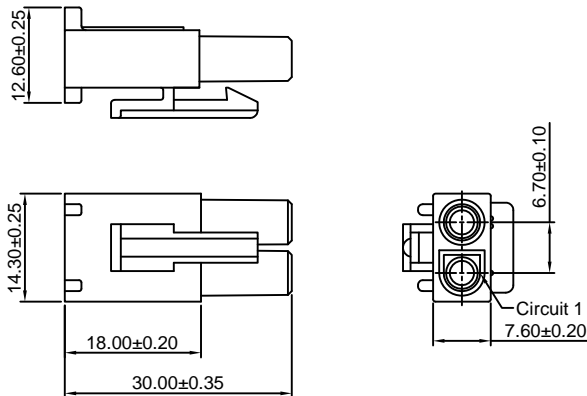
C2363HF-1P



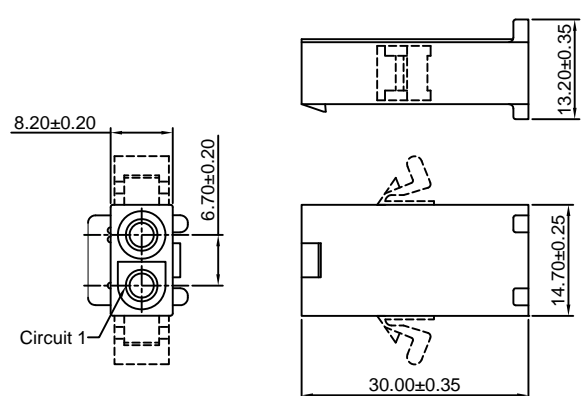
C2363HM-1P
C2363HMA-1P(WITHOUT EARS)



C2363HF-2P



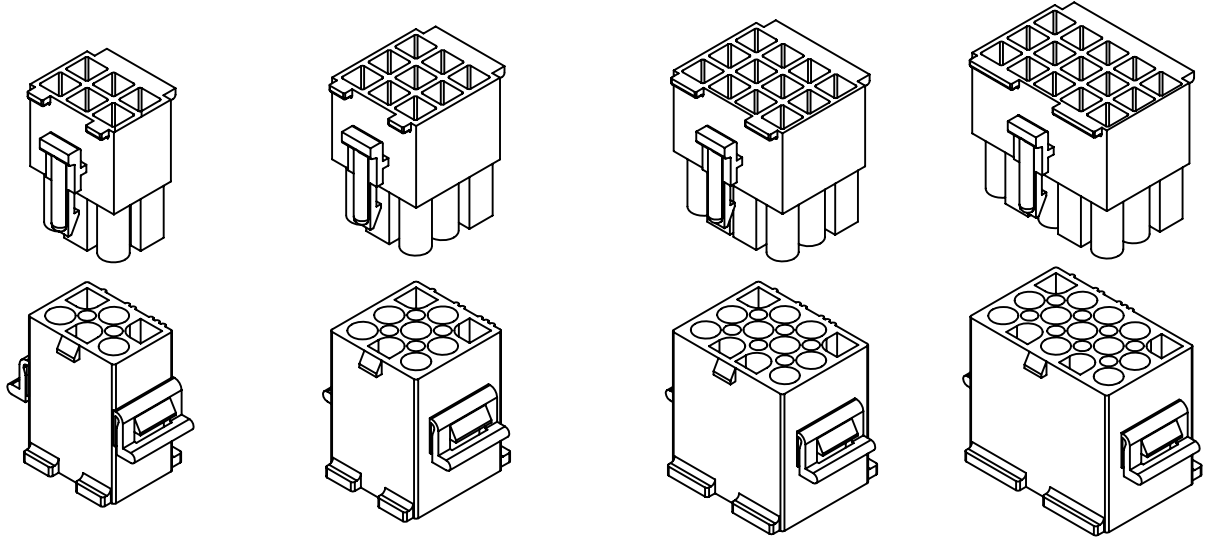
C2363HM-2P
C2363HMA-2P(WITHOUT EARS)



C2363H

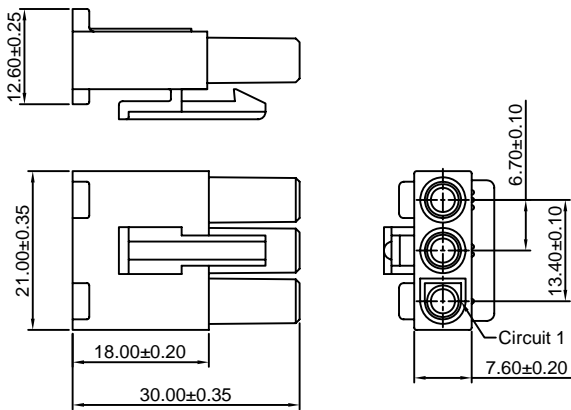
6.70mm Pitch Housing

Unit: mm



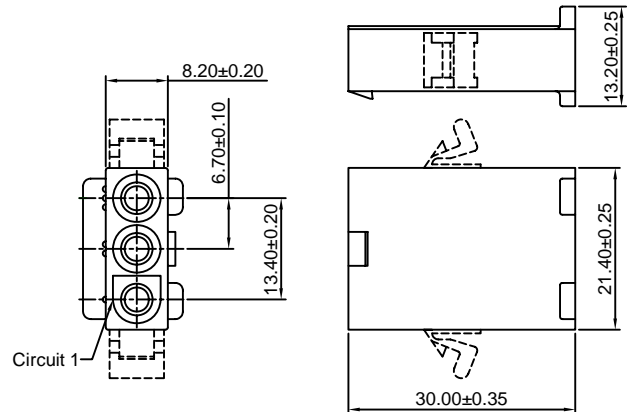
C2363HF

C2363HF-3P

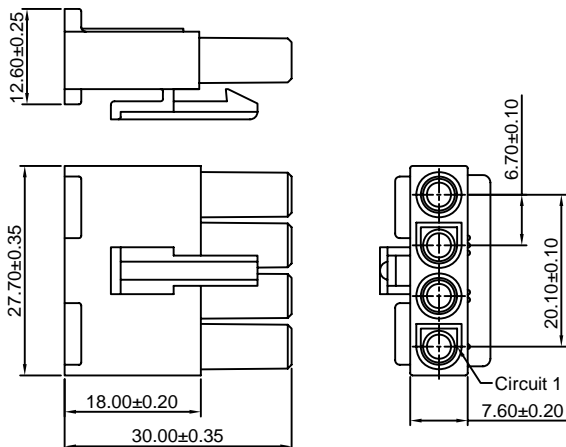


C2363HM<HMA>

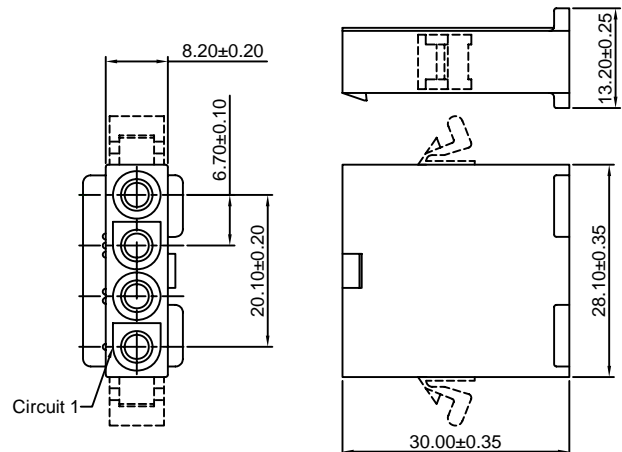
C2363HM-3P C2363HMA-3P(WITHOUT EARS)



C2363HF-4P



C2363HM-4P C2363HMA-4P(WITHOUT EARS)



C2363H

6.70mm Pitch Housing

Reference Informations:

- *Material: Nylon 66, UL94V-2 or UL94V-0
- *C2363HM (Suitable Terminal: C5030M-T(-H), C5030ML-T(-H))
- *C2363HF (Suitable Terminal: C5030F-T(-H))
- *Color: Natural

Ordering Information:

- C2363HF-2xXP - **
 $\frac{1}{2}$
1. Part No.
 2. Material/Color:
 (blank): Nylon 66, UL94V-2/Natural
 V0: Nylon 66, UL94V-0/White
 GWT: Nylon 66, UL94V-0, GWT 750°C

Ordering Information:

- C2363HM<HMA>-2xXP - **
 $\frac{1}{2}$
1. Part No.
 2. Material/Color:
 (blank): Nylon 66, UL94V-2/Natural
 V0: Nylon 66, UL94V-0/White
 GWT: Nylon 66, UL94V-0, GWT 750°C

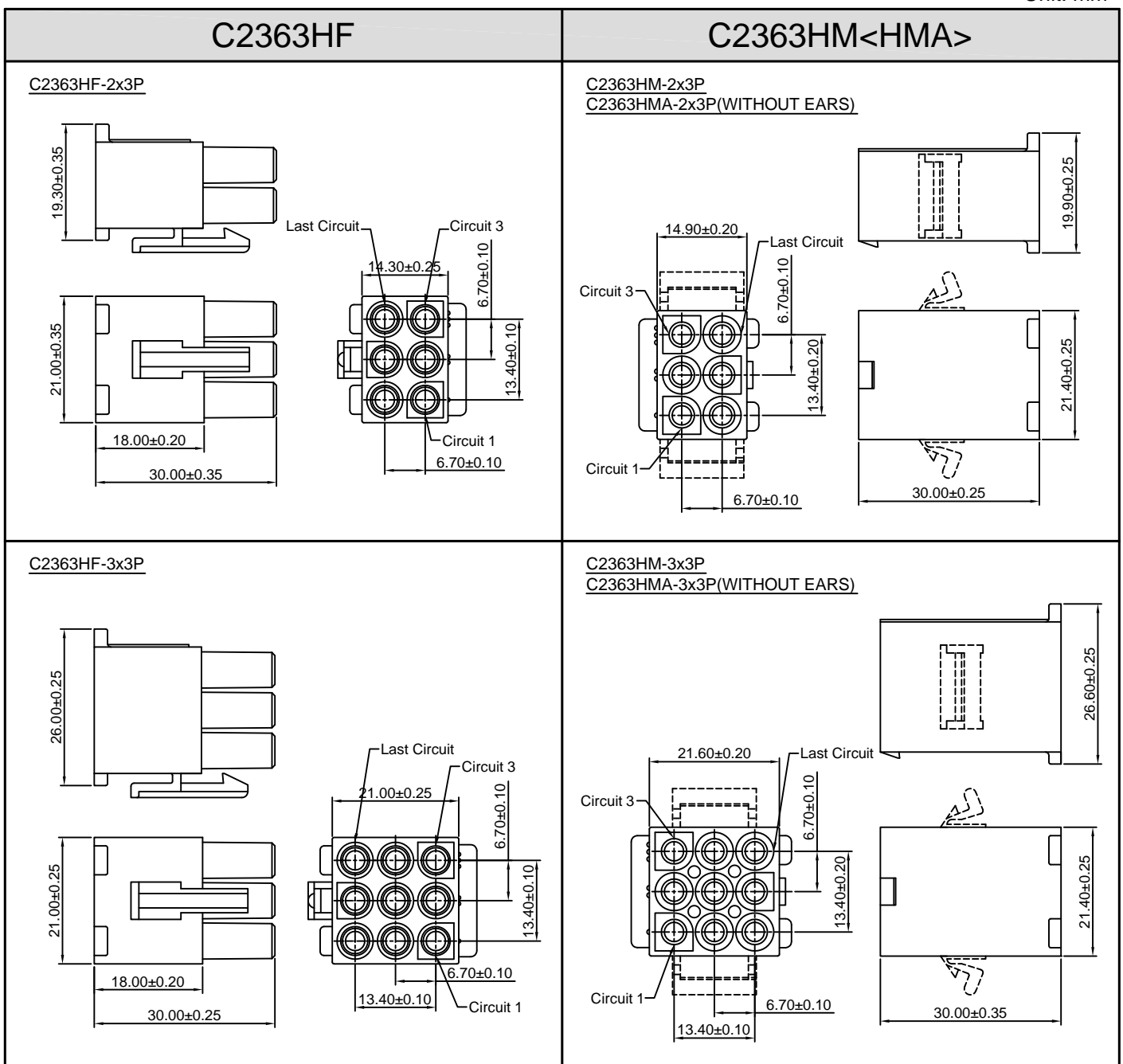
Ordering Information:

- C2363HF-3xXP - **
 $\frac{1}{2}$
1. Part No.
 2. Material/Color:
 (blank): Nylon 66, UL94V-2/Natural
 V0: Nylon 66, UL94V-0/White
 GWT: Nylon 66, UL94V-0, GWT 750°C

Ordering Information:

- C2363HM<HMA>-3xXP - **
 $\frac{1}{2}$
1. Part No.
 2. Material/Color:
 (blank): Nylon 66, UL94V-2/Natural
 V0: Nylon 66, UL94V-0/White
 GWT: Nylon 66, UL94V-0, GWT 750°C

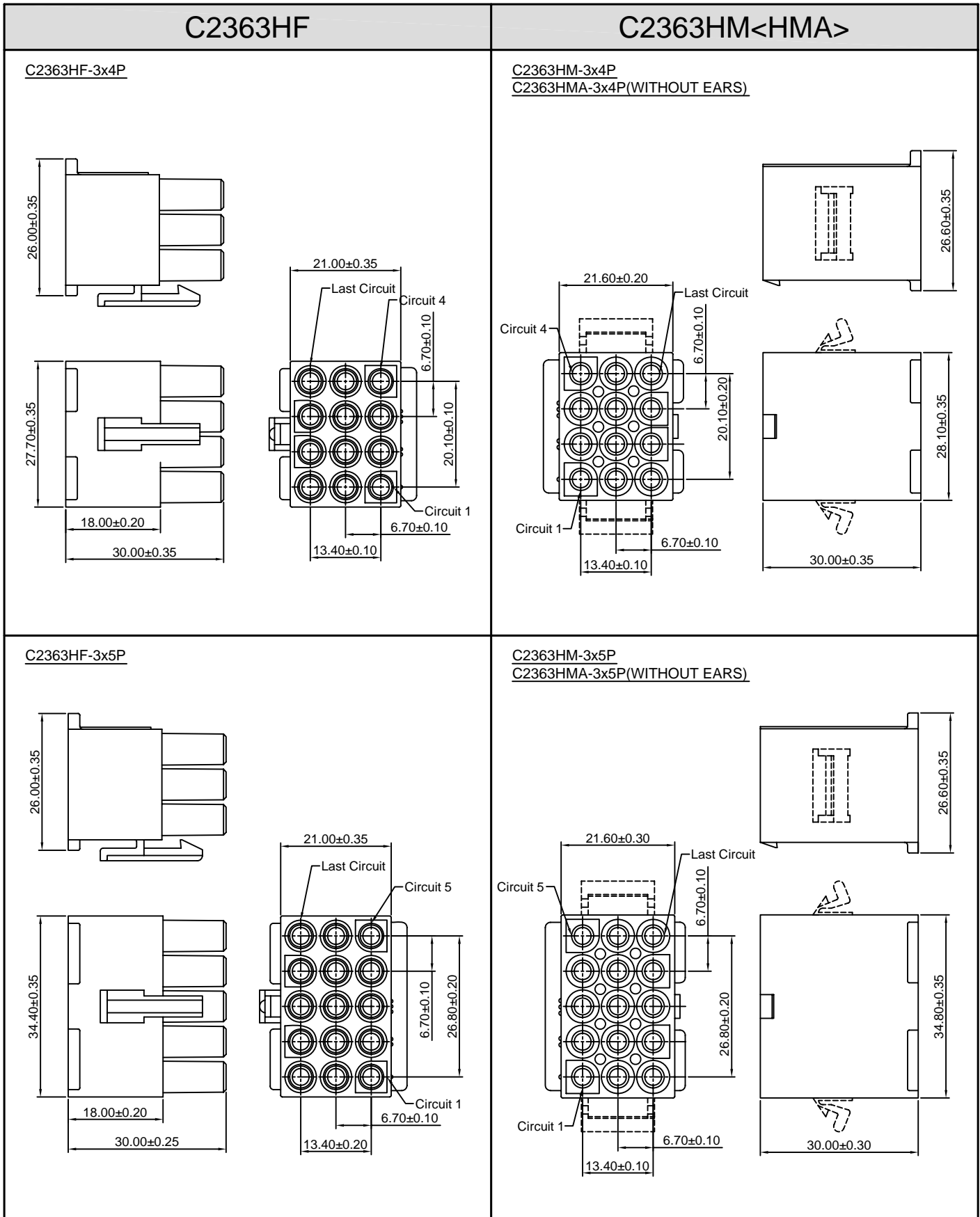
Unit: mm



C2363H

6.70mm Pitch Housing

Unit: mm



C2363WV

6.70mm Pitch 180° Wafer

Reference Informations:

*Material:Pin:Brass/Tin over Nickel

Insulator:Nylon 66,UL94V-2

*Mates with CJT C2363HF-XP series single row Housing

*Color:Natural

Ordering Information:

C2363WV-XP - ***

1 2

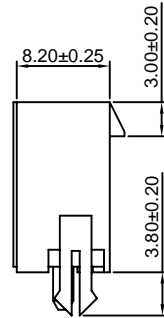
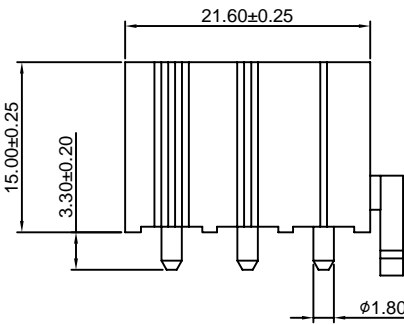
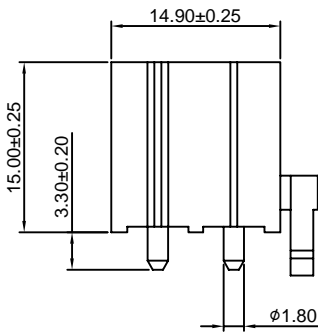
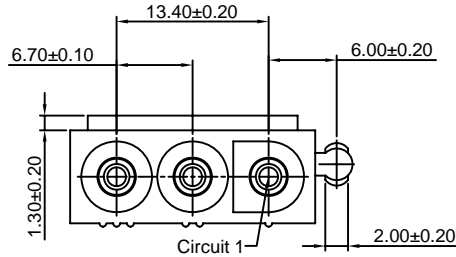
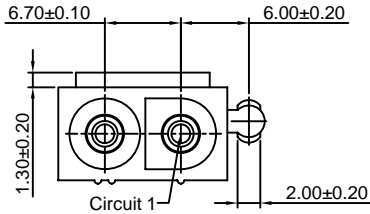
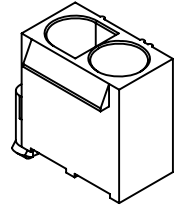
1.Part No.

2.Material/Color:

(blank):Nylon 66,UL94V-2/Natural

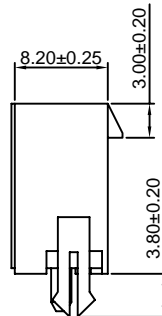
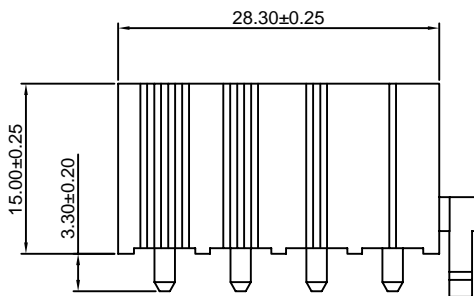
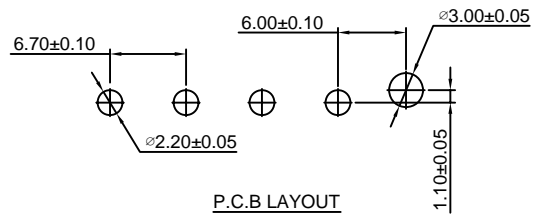
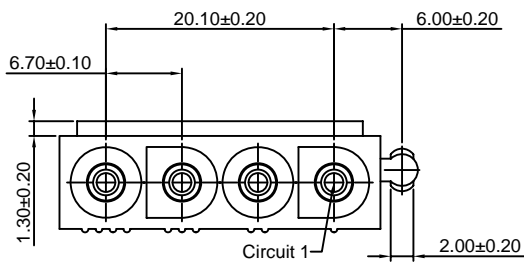
V0:Nylon 66,UL94V-0/White

GWT:Nylon 66,UL94V-0,GWT 750°C



C2363WV-2P

C2363WV-3P



C2363WV-4P

C2363WV-2x3P

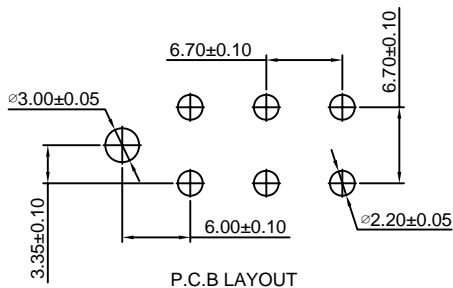
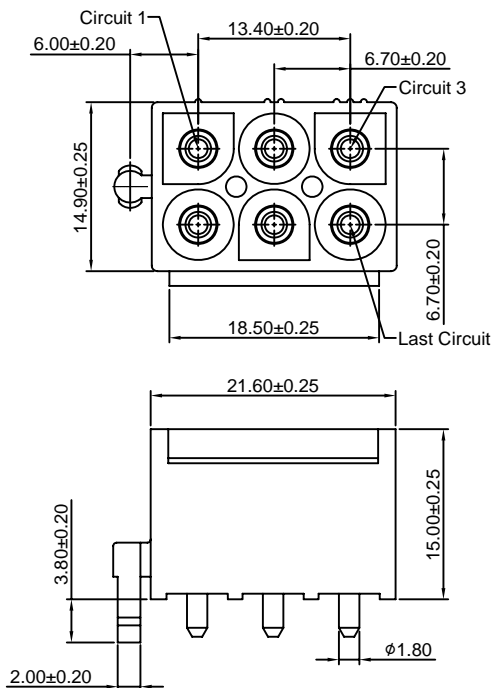
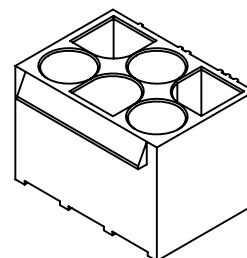
6.70mm Pitch 180° Dual Row Wafer

Reference Informations:

- *Material: Pin: Brass/Tin over Nickel
Insulator: Nylon 66, UL94V-2
- *Mates with CJT C2363HF-2x3P series Dual Row Housing
- *Color: Natural

Ordering Information:

- C2363WV-2x3P - ***
- | | |
|---|---|
| 1 | 2 |
|---|---|
1. Part No.
 2. Material/Color:
(blank): Nylon 66, UL94V-2/Natural
V0: Nylon 66, UL94V-0/White
GWT: Nylon 66, UL94V-0, GWT 750°C



C2363WV-3x3P

6.70mm Pitch 180° Triple Row Wafer

Reference Informations:

- *Material: Pin: Brass/Tin over Nickel
Insulator: Nylon 66, UL94V-2
- *Mates with CJT C2363HF-3x3P series Triple Row Housing
- *Color: Natural

Ordering Information:

- C2363WV-3x3P - ***
- | | |
|---|---|
| 1 | 2 |
|---|---|
1. Part No.
 2. Material/Color:
(blank): Nylon 66, UL94V-2/Natural
V0: Nylon 66, UL94V-0/White
GWT: Nylon 66, UL94V-0, GWT 750°C

