

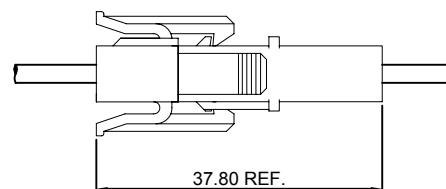
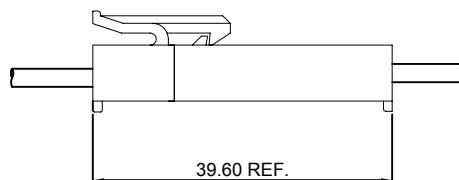
## Specifications

- Current rating: 15A AC,DC
- Voltage rating: 300V AC,DC
- Temperature Range: -40°C ~ +105°C
- Contact resistance: 10mΩ Max
- Insulation resistance: 1000MΩ Min
- Withstanding voltage: 1500V AC/minute
- \*Compliant with RoHS and REACH\*
- \*Meet the HF/Halogen Free,GWT/Glow wire Test (IEC60335-1) request,need to customize\*
- \*Contact CJT for details\*

## Standards



## Assembly layout

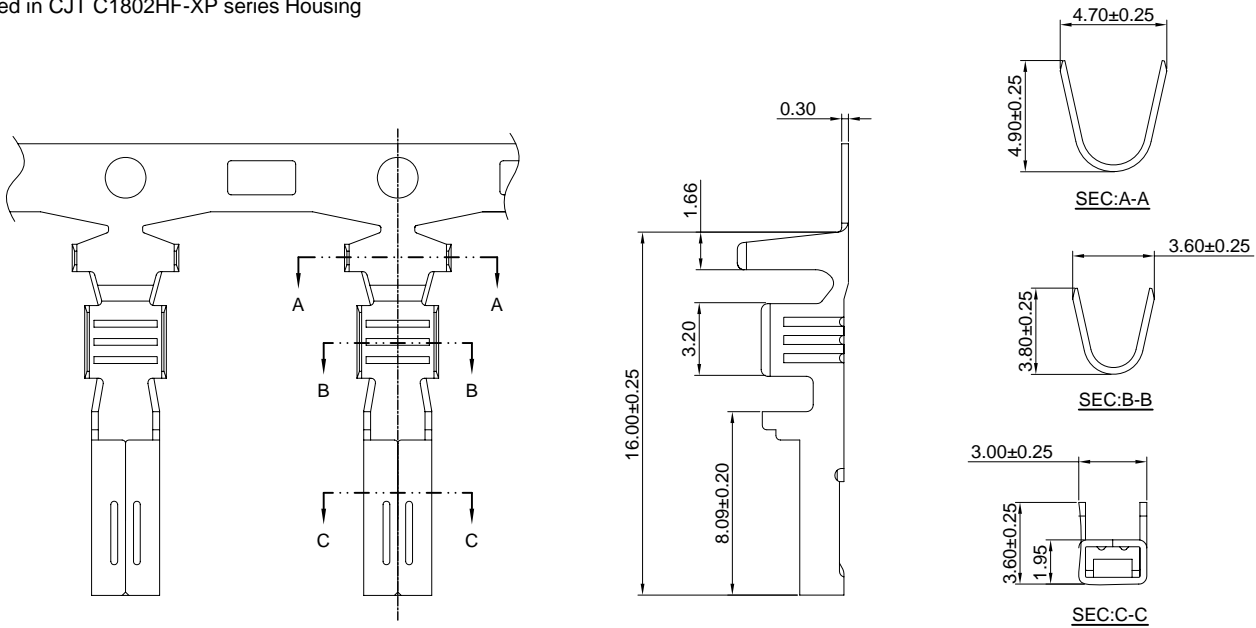


### C1802F-T

6.00mm pitch Crimp Terminal

**Reference Informations:**

\*Used in CJT C1802HF-XP series Housing



**Ordering information & Specifications:**

Unit:mm

Part NO.	Wire Range	Insulation O.D.	Material	Finish	Qty/reel
C1802F-TP	AWG#18-#22	3.00mm(max)	Phosphor Bronze	Tin over Nickel	2,500 PCS
C1802F-GP	AWG#18-#22	3.00mm(max)	Phosphor Bronze	Gold over Nickel	2,500 PCS

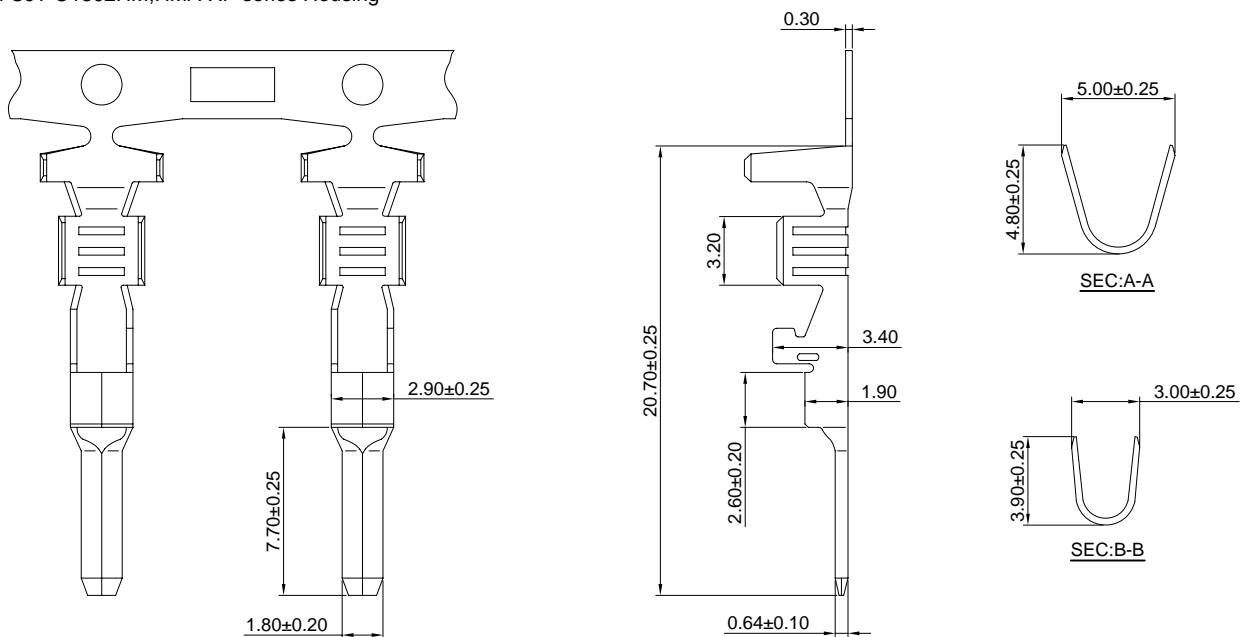
Optional Gold plating available but MOQ requested

### C1802M-T

6.00mm pitch Crimp Terminal

**Reference Informations:**

\*Used in CJT C1802HM,HMA-XP series Housing



**Ordering information & Specifications:**

Unit:mm

Part NO.	Wire Range	Insulation O.D.	Material	Finish	Qty/reel
C1802M-TP	AWG#18-#22	3.00mm(max)	Phosphor Bronze	Tin over Nickel	2,500 PCS
C1802M-GP	AWG#18-#22	3.00mm(max)	Phosphor Bronze	Gold over Nickel	2,500 PCS

Optional Gold plating available but MOQ requested

### C1802H

6.00mm Pitch Housing

**Reference Informations:**

- \*Material:Housing:Nylon 66,UL94V-0
- \*C1802HF(Suitable Terminal:C1802F-T)
- \*C1802HM(A)(Suitable Terminal:C1802M-T)
- \*Color:White

**Ordering Information:**

C1802HF-XP - \*\*\*  
1 2

1.Part No.

2.Material:

(blank):Nylon 66,UL94V-0  
GWT:Nylon 66,UL94V-0,GWT 750 °C

**Ordering Information:**

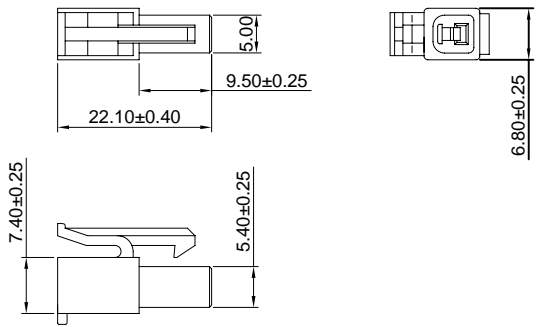
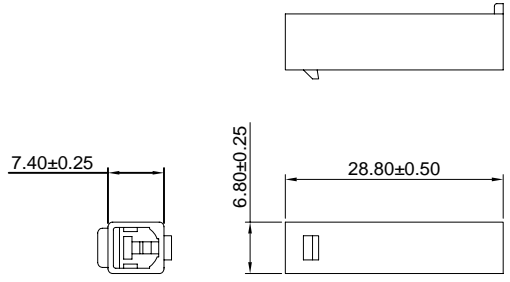
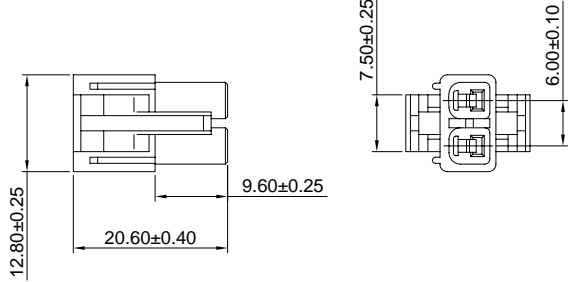
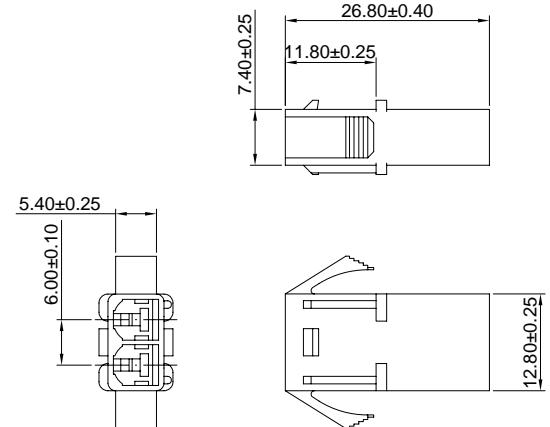
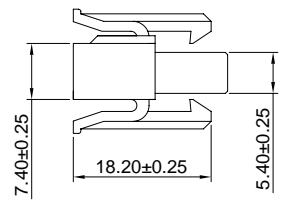
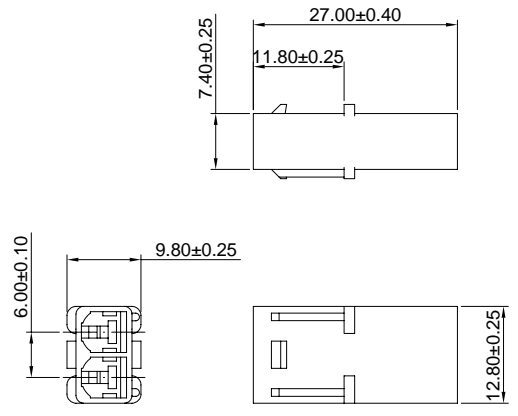
C1802HM(A)-XP - \*\*\*  
1 2

1.Part No.

2.Material:

(blank):Nylon 66,UL94V-0  
GWT:Nylon 66,UL94V-0,GWT 750 °C

Unit: mm

C1802HF	C1802HM<HMA>
 <p style="text-align: center;">C1802HF-1P</p>	 <p style="text-align: center;">C1802HM-1P</p>
 <p style="text-align: center;">C1802HF-2P</p>	 <p style="text-align: center;">C1802HM-2P</p>
 <p style="text-align: center;">C1802HF-2P</p>	 <p style="text-align: center;">C1802HMA-2P</p>

### C1802H

6.00mm Pitch Housing

**Reference Informations:**

\*Material:Housing:Nylon 66,UL94V-0

\*C1802HF(Suitable Terminal:C1802F-T)

\*C1802HM(A)(Suitable Terminal:C1802M-T)

\*Color:White

Unit: mm

C1802HF	C1802HM<HMA>
<p style="text-align: center;"><u>C1802HF-3P</u></p>	<p style="text-align: center;"><u>C1802HM-3P</u></p>
<p style="text-align: center;"><u>C1802HF-3P</u></p>	<p style="text-align: center;"><u>C1802HMA-3P</u></p>