

## Specifications

Current rating: 15A AC,DC

Voltage rating: 300V AC,DC

Temperature Range: -40°C ~ +105°C

Contact resistance: 10mΩ Max

Insulation resistance: 1000MΩ Min

Withstanding voltage: 1500V AC/minute

\*Compliant with RoHS and REACH\*

\*Meet the HF/Halogen Free,GWT/Glow wire

Test (IEC60335-1) request,need to customize\*

\*Contact CJT for details\*

## Standards

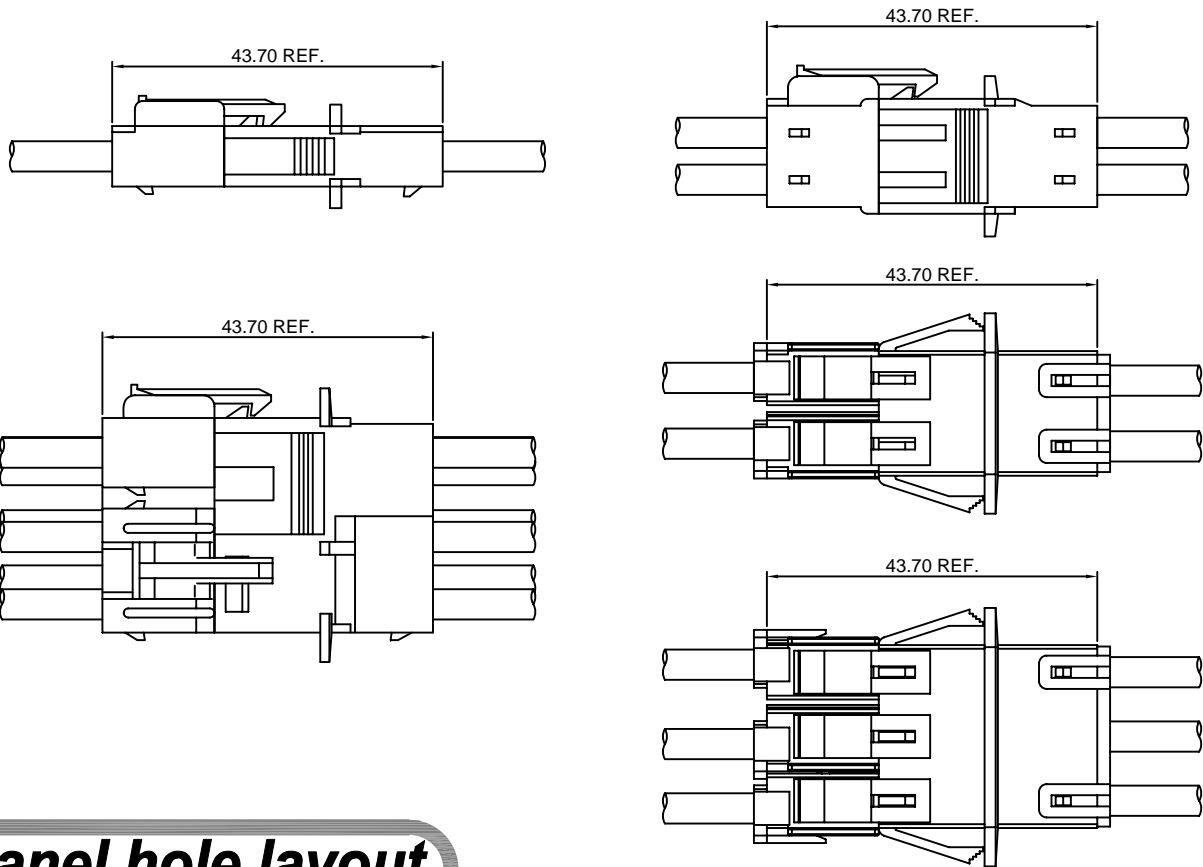


E326732

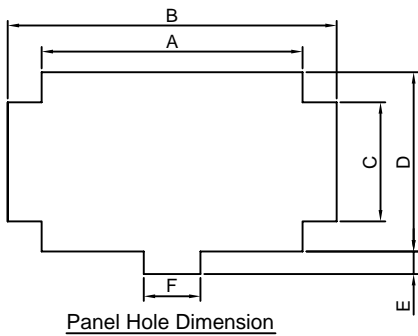


E326732

**Assembly layout**



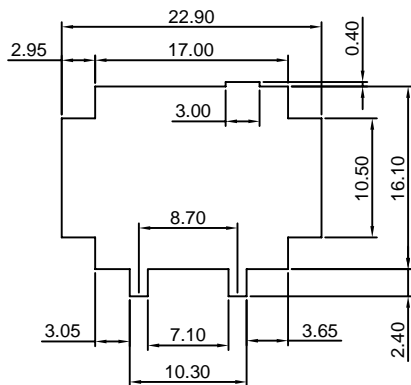
**Panel hole layout**



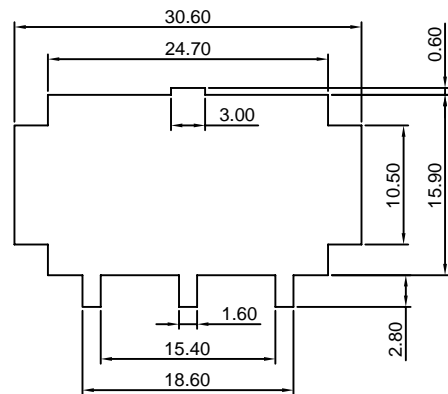
Panel Hole Dimension

PART NO.	Dimensions						Thickness
	A	B	C	D	E	F	
C1801HM-2P	13.90	19.90	5.50	8.50	2.00	5.00	1.00~2.50
C1801HM-3P	22.90	28.90	5.50	9.70	2.00	5.00	1.00~1.80
C1801HM-2X2P	16.90	22.80	12.90	15.70	2.00	5.00	1.00~2.50
C1801HM-2X3P	23.90	29.00	10.50	15.80	2.00	5.00	1.00~2.50

Unit:mm



C1801HMB-2x2P  
Panel Hole Dimension  
Thickness:0.80~1.80



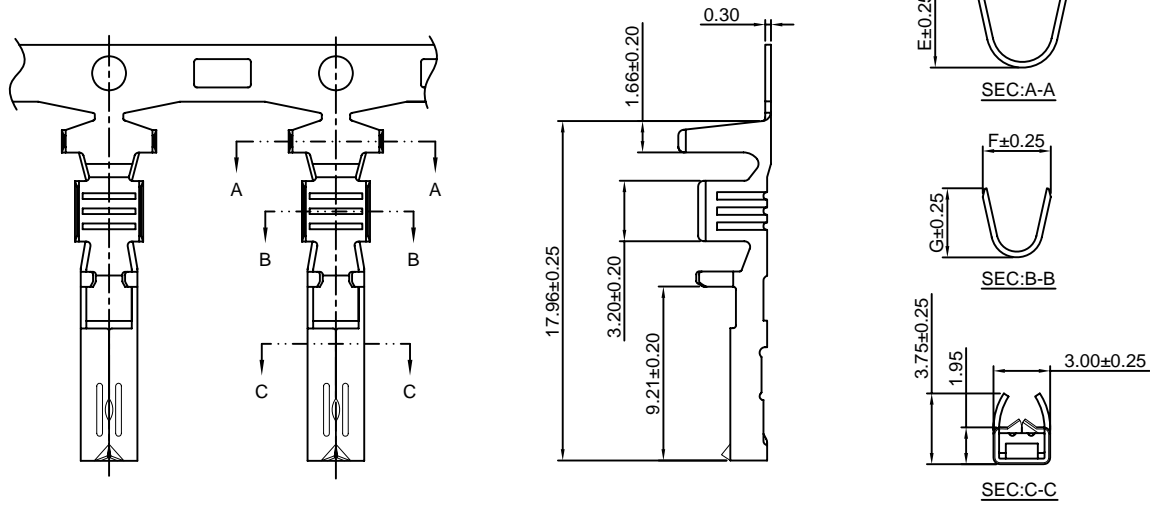
C1801HMB-2x3P  
Panel Hole Dimension  
Thickness:0.80~1.80

### C1801F-T

6.20/7.30/7.80/8.00/8.50/8.70/8.90mm pitch Crimp Terminal

#### Reference Informations:

\*Used in CJT C1801HF,C1801HM,C1801HMA,C1801HFB,C1801HMB series Housing



#### Ordering information & Specifications:

Unit:mm

Part NO.	Wire Range	Insulation O.D.	Material	Finish	D	E	F	G	Qty/reel
C1801F-TP	AWG#14-#18	3.80mm(max)	Phosphor Bronze	Tin over Nickel	5.00	4.90	3.60	3.65	2,500 PCS
C1801F-GP	AWG#14-#18	3.80mm(max)	Phosphor Bronze	Gold-flash	5.00	4.90	3.60	3.65	2,500 PCS
C1801F-TP-L	AWG#20-#22	2.70mm(max)	Phosphor Bronze	Tin over Nickel	4.20	4.10	2.80	3.00	2,500 PCS
C1801F-GP-L	AWG#20-#22	2.70mm(max)	Phosphor Bronze	Gold-flash	4.20	4.10	2.80	3.00	2,500 PCS
C1801F-TP-LL	AWG#24	2.20mm(max)	Phosphor Bronze	Tin over Nickel	3.85	3.50	2.20	1.75	2,500 PCS
C1801F-GP-LL	AWG#24	2.20mm(max)	Phosphor Bronze	Gold-flash	3.85	3.50	2.20	1.75	2,500 PCS

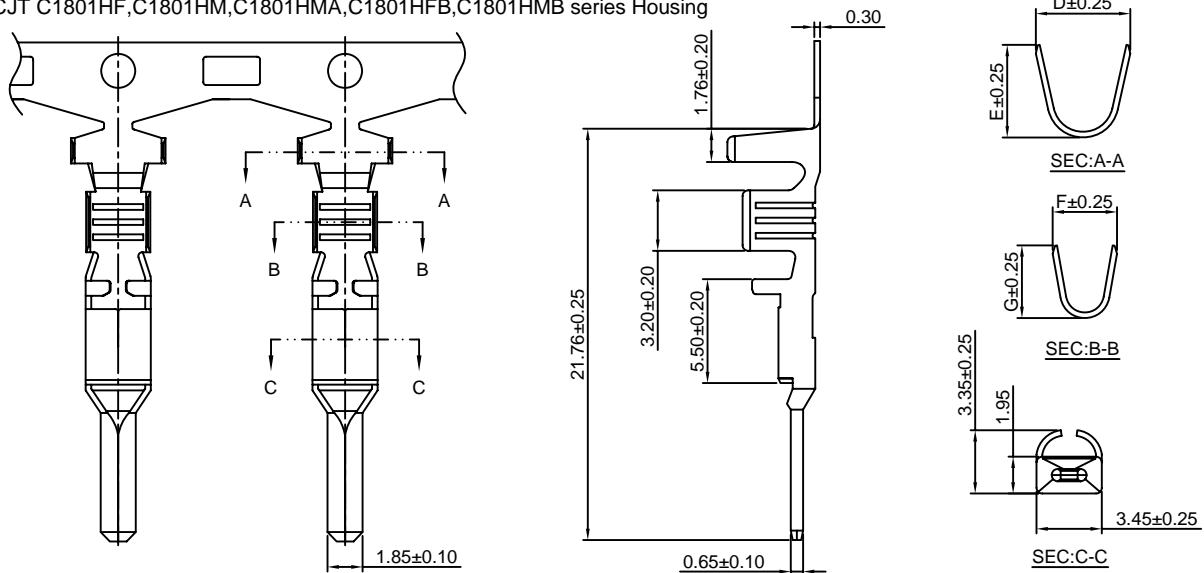
Optional Gold plating available but MOQ requested

### C1801M-T

6.20/7.30/7.80/8.90mm pitch Crimp Terminal

#### Reference Informations:

\*Used in CJT C1801HF,C1801HM,C1801HMA,C1801HFB,C1801HMB series Housing



#### Ordering information & Specifications:

Unit:mm

Part NO.	Wire Range	Insulation O.D.	Material	Finish	D	E	F	G	Qty/reel
C1801M-TP	AWG#14-#18	3.80mm(max)	Phosphor Bronze	Tin over Nickel	5.00	4.90	3.40	3.85	2,500 PCS
C1801M-GP	AWG#14-#18	3.80mm(max)	Phosphor Bronze	Gold-flash	5.00	4.90	3.40	3.85	2,500 PCS
C1801M-TP-L	AWG#20-#22	2.70mm(max)	Phosphor Bronze	Tin over Nickel	4.20	4.10	2.80	3.00	2,500 PCS
C1801M-GP-L	AWG#20-#22	2.70mm(max)	Phosphor Bronze	Gold-flash	4.20	4.10	2.80	3.00	2,500 PCS
C1801M-TP-LL	AWG#24	2.20mm(max)	Phosphor Bronze	Tin over Nickel	3.85	3.50	2.20	1.75	2,500 PCS
C1801M-GP-LL	AWG#24	2.20mm(max)	Phosphor Bronze	Gold-flash	3.85	3.50	2.20	1.75	2,500 PCS

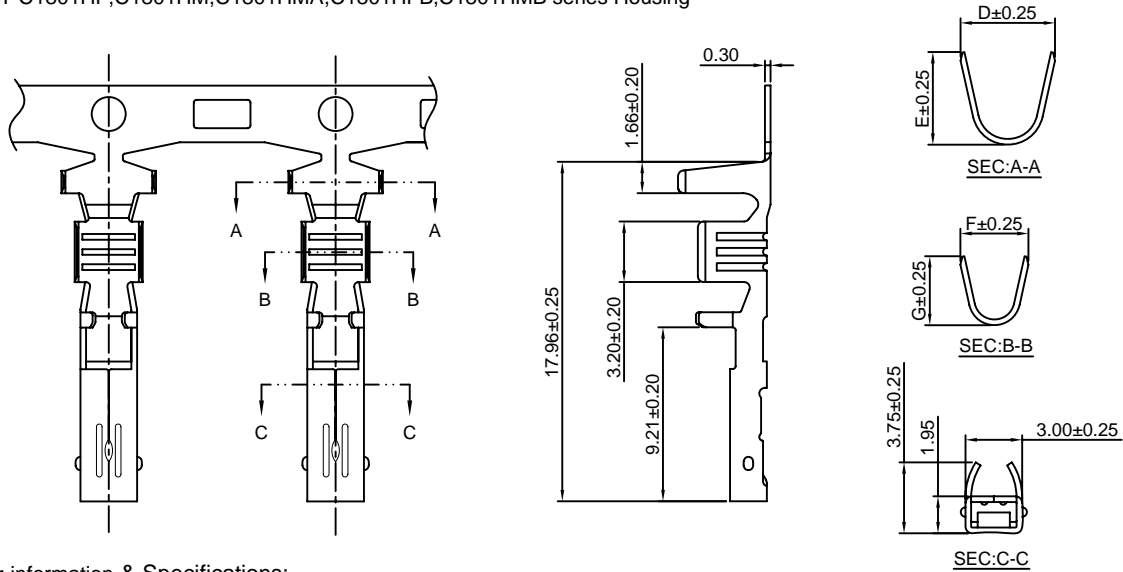
Optional Gold plating available but MOQ requested

### C1801FA-T

6.20/7.30/7.80/8.00/8.50/8.70/8.90mm pitch Crimp Terminal

**Reference Informations:**

\*Used in CJT C1801HF,C1801HM,C1801HMA,C1801HFB,C1801HMB series Housing



**Ordering information & Specifications:**

Unit:mm

Part NO.	Wire Range	Insulation O.D.	Material	Finish	D	E	F	G	Qty/reel
C1801FA-TP	AWG#14-#18	3.80mm(max)	Phosphor Bronze	Tin over Nickel	5.00	4.90	3.60	3.65	2,500 PCS
C1801FA-GP	AWG#14-#18	3.80mm(max)	Phosphor Bronze	Gold-flash	5.00	4.90	3.60	3.65	2,500 PCS
C1801FA-TP-L	AWG#20-#22	2.70mm(max)	Phosphor Bronze	Tin over Nickel	4.20	4.10	2.80	3.00	2,500 PCS
C1801FA-GP-L	AWG#20-#22	2.70mm(max)	Phosphor Bronze	Gold-flash	4.20	4.10	2.80	3.00	2,500 PCS
C1801FA-TP-LL	AWG#24	2.20mm(max)	Phosphor Bronze	Tin over Nickel	3.85	3.50	2.20	1.75	2,500 PCS
C1801FA-GP-LL	AWG#24	2.20mm(max)	Phosphor Bronze	Gold-flash	3.85	3.50	2.20	1.75	2,500 PCS

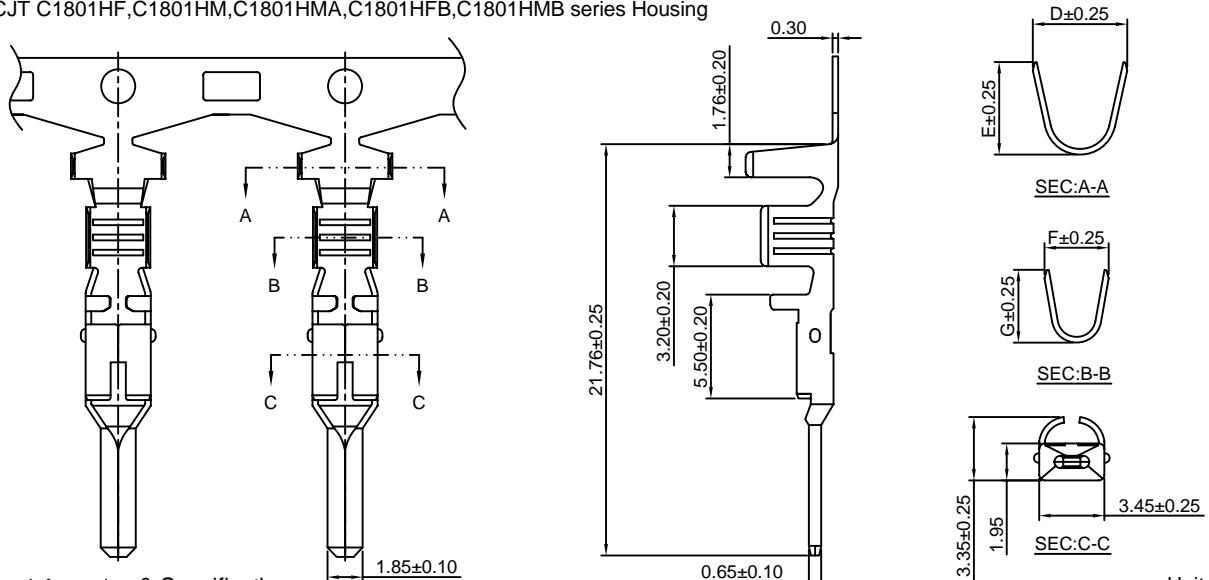
Optional Gold plating available but MOQ requested

### C1801MA-T

6.20/7.30/7.80/8.90mm pitch Crimp Terminal

**Reference Informations:**

\*Used in CJT C1801HF,C1801HM,C1801HMA,C1801HFB,C1801HMB series Housing



**Ordering information & Specifications:**

Unit:mm

Part NO.	Wire Range	Insulation O.D.	Material	Finish	D	E	F	G	Qty/reel
C1801MA-TP	AWG#14-#18	3.80mm(max)	Phosphor Bronze	Tin over Nickel	5.00	4.90	3.40	3.85	2,500 PCS
C1801MA-GP	AWG#14-#18	3.80mm(max)	Phosphor Bronze	Gold-flash	5.00	4.90	3.40	3.85	2,500 PCS
C1801MA-TP-L	AWG#20-#22	2.70mm(max)	Phosphor Bronze	Tin over Nickel	4.20	4.10	2.80	3.00	2,500 PCS
C1801MA-GP-L	AWG#20-#22	2.70mm(max)	Phosphor Bronze	Gold-flash	4.20	4.10	2.80	3.00	2,500 PCS
C1801MA-TP-LL	AWG#24	2.20mm(max)	Phosphor Bronze	Tin over Nickel	3.85	3.50	2.20	1.75	2,500 PCS
C1801MA-GP-LL	AWG#24	2.20mm(max)	Phosphor Bronze	Gold-flash	3.85	3.50	2.20	1.75	2,500 PCS

Optional Gold plating available but MOQ requested

### C1801H

6.20/7.30/7.80/8.00/8.50/8.70/8.90mm Pitch Housing

#### Reference Informations:

- \*Material:Housing:Nylon 66,UL94V-0  
Retainer:Nylon 66,UL94V-2
- \*Suitable CJT C1801 series Terminal
- \*Color:Natural

#### Ordering Information:

- C1801H\*\* - XP - \*\*\* - \*\*
- |   |   |   |
|---|---|---|
| 1 | 2 | 3 |
|---|---|---|
- 1.Part No.
  - 2.Material:  
(blank):Nylon 66,UL94V-0  
GWT:Nylon 66,UL94V-0,GWT 750°C
  - 3.Color:  
(blank):Natural  
RD:Red  
YL:Yellow  
BL:Blue

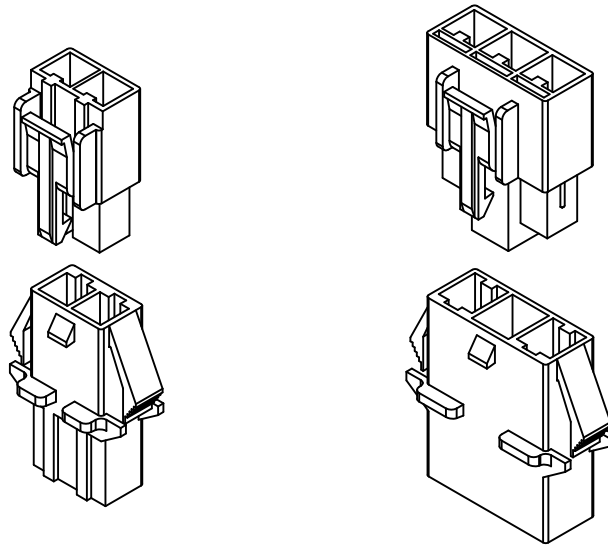
#### Ordering Information:

- C1801S-XP - \*\*
- |   |   |
|---|---|
| 1 | 2 |
|---|---|
- 1.Part No.
  - 2.Color:  
(blank):Natural  
RD:Red  
YL:Yellow  
BL:Blue

C1801HF	C1801HM<HMA>	Retainer
<p><u>C1801HF-1P</u> *Suitable Terminal: C1801FA-T</p>	<p><u>C1801HM-1P</u> *Suitable Terminal: C1801MA-T</p>	<p><u>C1801S-1P-**</u></p>
<p><u>C1801HF-2P</u> *Suitable Terminal: C1801FA-T</p>	<p><u>C1801HM-2P</u> *Suitable Terminal: C1801MA-T</p>	<p><u>C1801S-2P-**</u></p>
	<p><u>C1801HMA-2P</u> *Suitable Terminal: C1801MA-T</p>	

### C1801H

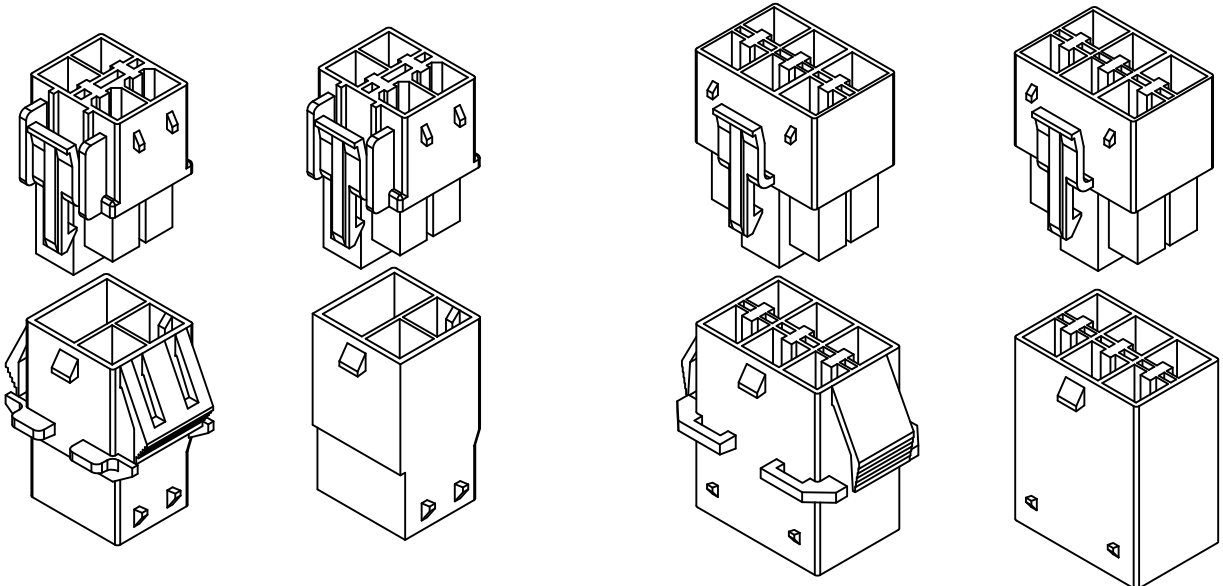
6.20/7.30/7.80/8.00/8.50/8.70/8.90mm Pitch Housing



C1801HF	C1801HM<HMA>	Retainer
<p><b>C1801HF-3P</b> *Suitable Terminal: C1801FA-T (Circuit 1) C1801MA-T (Circuit 2) C1801F-T (Circuit 3)</p>	<p><b>C1801HM-3P</b> *Suitable Terminal: C1801MA-T (Circuit 1) C1801FA-T (Circuit 2) C1801M-T (Circuit 3)</p> <p><b>C1801HMA-3P</b> *Suitable Terminal: C1801MA-T (Circuit 1) C1801FA-T (Circuit 2) C1801M-T (Circuit 3)</p>	<p><b>C1801S-3P.**</b></p>

**C1801H**

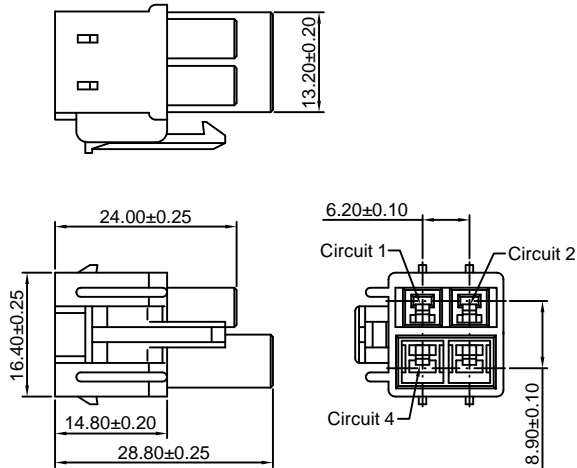
6.20/7.30/7.80/8.00/8.50/8.70/8.90mm Pitch Housing



**C1801HF**

C1801HF-2x2P

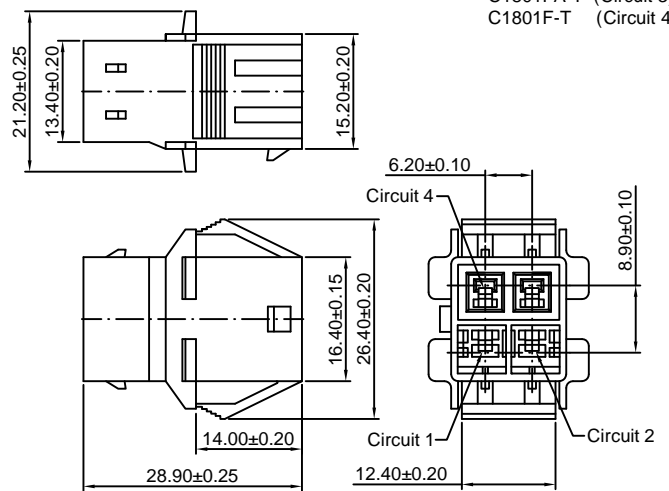
\*Suitable Terminal: C1801FA-T (Circuit 1)  
C1801F-T (Circuit 2)  
C1801MA-T (Circuit 3)  
C1801M-T (Circuit 4)



**C1801HM<HMA>**

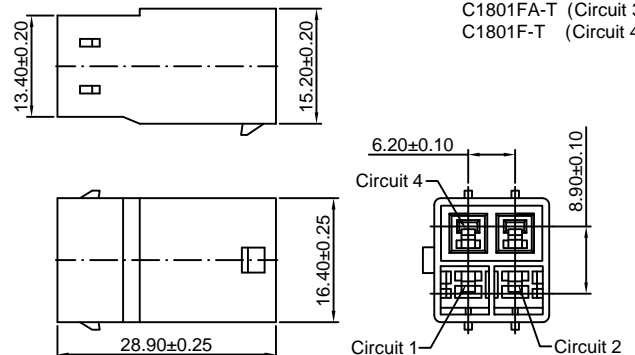
C1801HM-2x2P

\*Suitable Terminal: C1801MA-T (Circuit 1)  
C1801M-T (Circuit 2)  
C1801FA-T (Circuit 3)  
C1801F-T (Circuit 4)



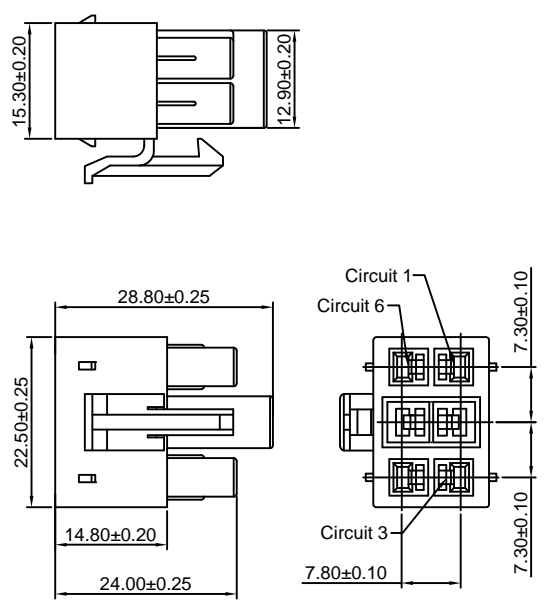
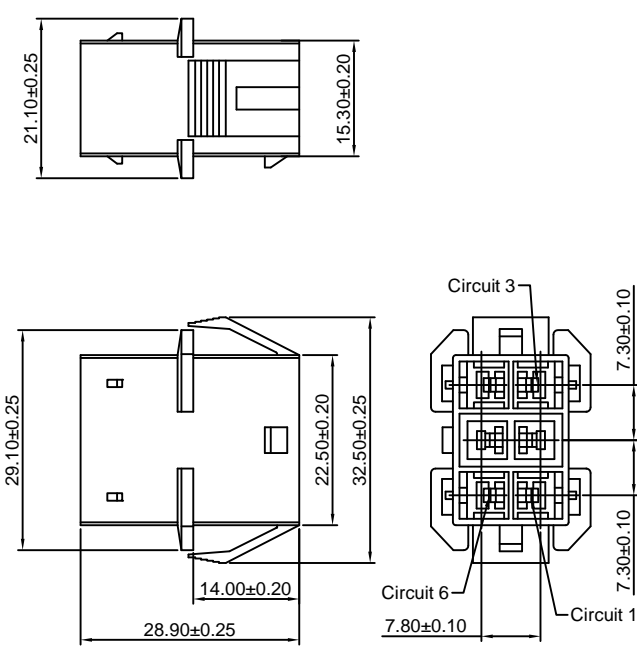
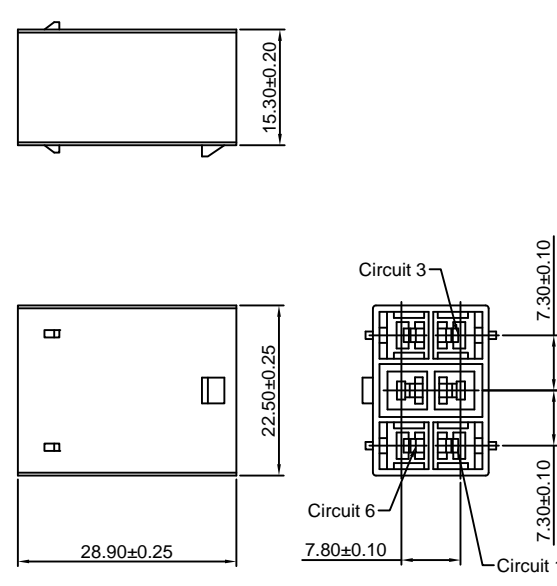
C1801HMA-2x2P

\*Suitable Terminal: C1801MA-T (Circuit 1)  
C1801M-T (Circuit 2)  
C1801FA-T (Circuit 3)  
C1801F-T (Circuit 4)



**C1801H**

6.20/7.30/7.80/8.00/8.50/8.70/8.90mm Pitch Housing

C1801HF	C1801HM<HMA>
<p><u>C1801HF-2x3P</u>      *Suitable Terminal: C1801MA-T (Circuit 2.5) C1801FA-T (Circuit 3.4) C1801F-T (Circuit 1.6)</p> 	<p><u>C1801HM-2x3P</u>      *Suitable Terminal: C1801FA-T (Circuit 2.5) C1801MA-T (Circuit 3.4) C1801M-T (Circuit 1.6)</p> 
	<p><u>C1801HMA-2x3P</u>      *Suitable Terminal: C1801FA-T (Circuit 2.5) C1801MA-T (Circuit 3.4) C1801M-T (Circuit 1.6)</p> 

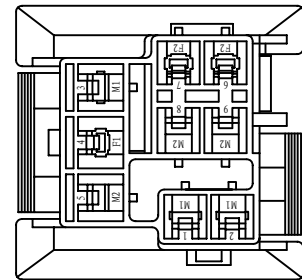
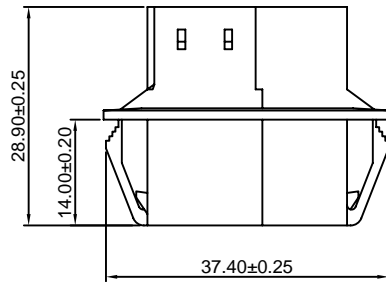
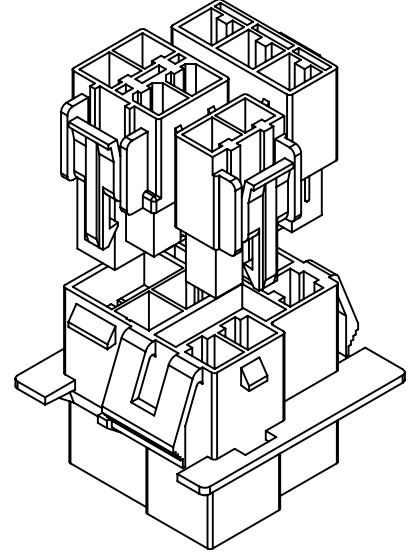
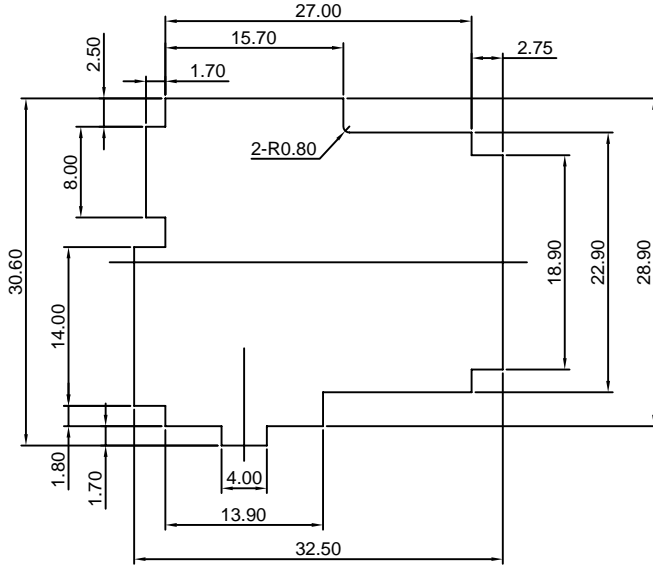


**C1801H**

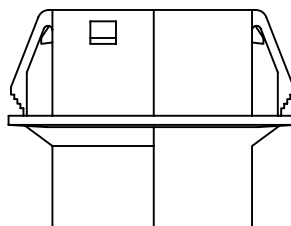
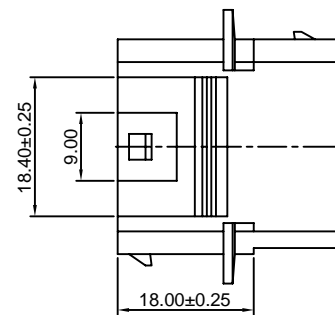
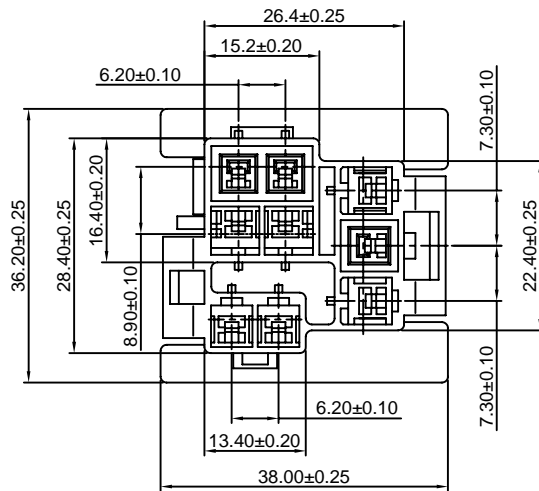
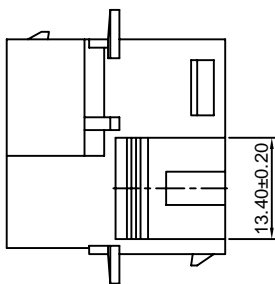
6.20/7.30/7.80/8.00/8.50/8.70/8.90mm Pitch Housing

**C1801HM**

C1801HM-9P

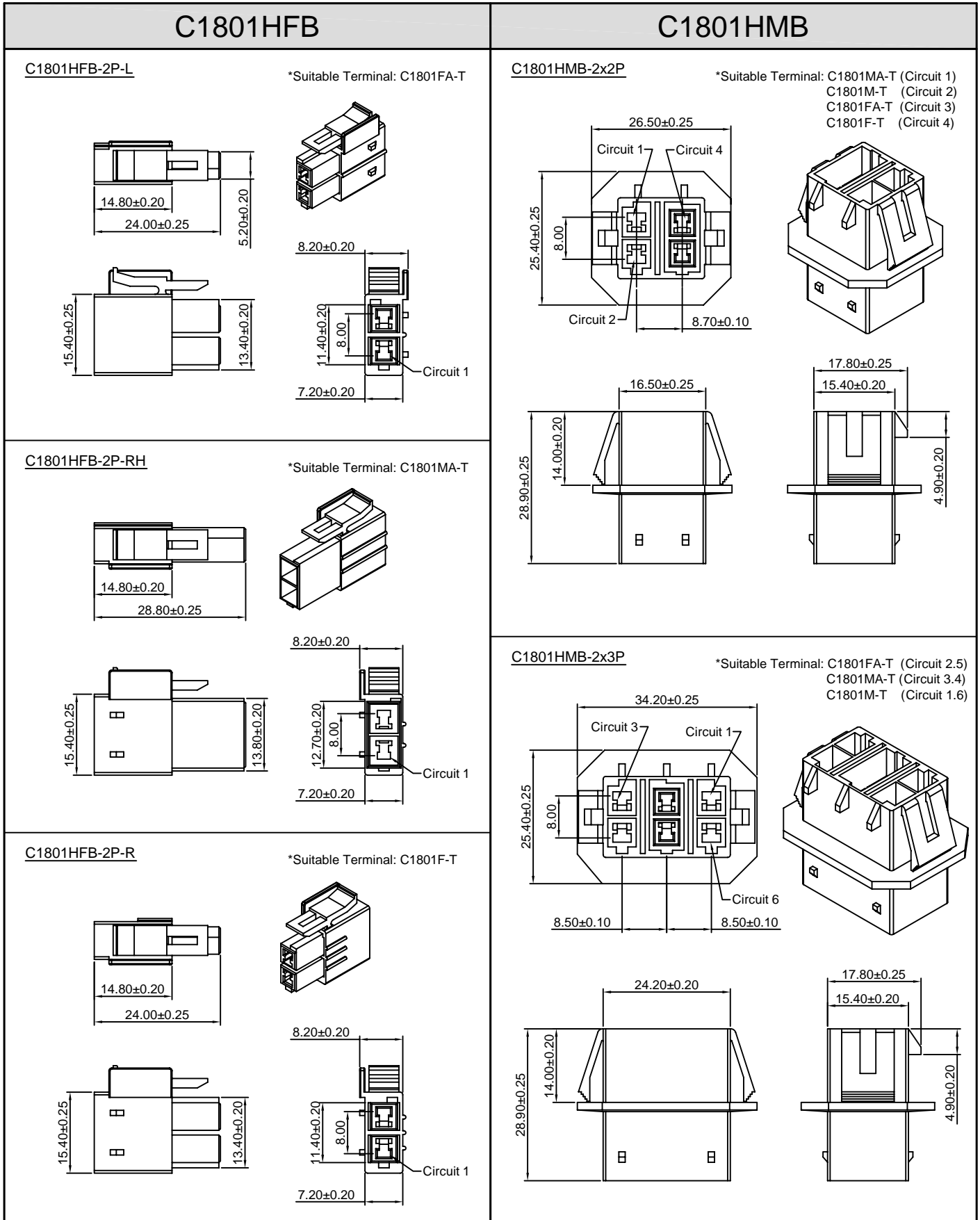


M1: MALE TERMINAL (C1801MA-T)  
 M2: MALE TERMINAL (C1801M-T)  
 F1: MALE TERMINAL (C1801FA-T)



**C1801H**

6.20/7.30/7.80/8.00/8.50/8.70/8.90mm Pitch Housing



### C1801SA

6.20/7.30/7.80/8.00/8.50/8.70/8.90mm Pitch Retainer

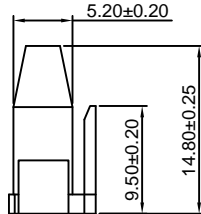
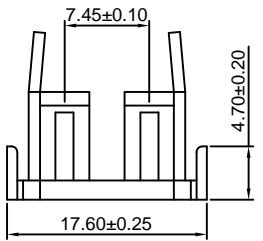
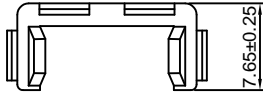
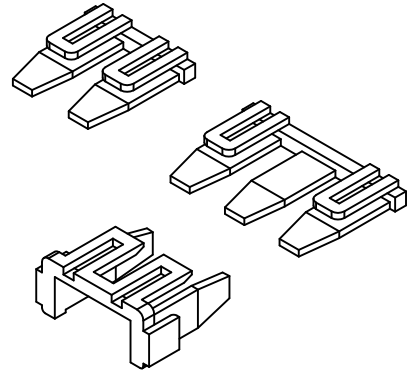
**Reference Informations:**

- \*Material:Nylon 66,UL94V-0
- \*Suitable CJT C1801 series Housing
- \*Color:Natural

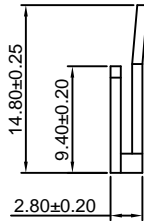
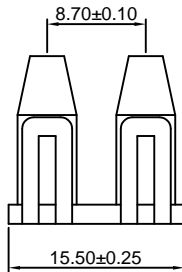
**Ordering Information:**

C1801SA-XP - \*\*  
1 2

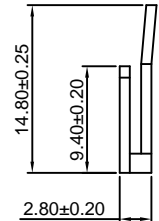
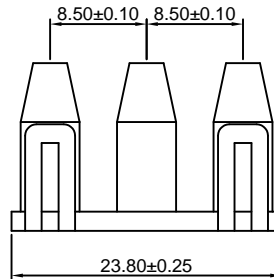
- 1.Part No.
- 2.Color:  
(blank):Natural  
RD:Red  
YL:Yellow  
BL:Blue



C1801SA-2P-L



C1801SA-2P



C1801SA-3P

Unit:mm