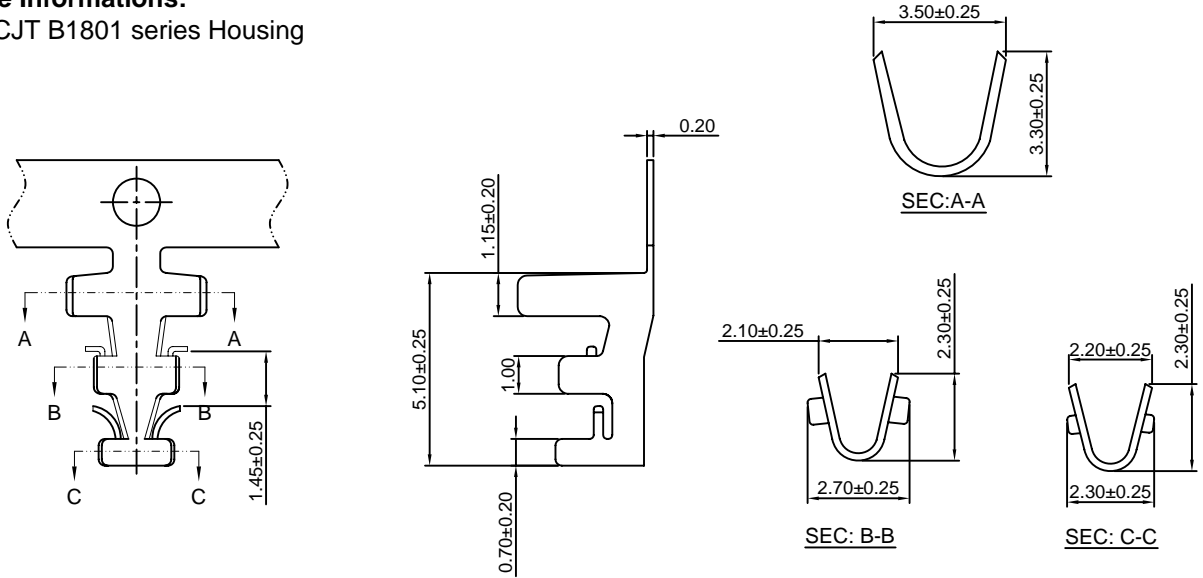


## B1801-T

—1.80mm pitch Crimp Terminal—

### Reference Informations:

\*Used in CJT B1801 series Housing



### Ordering information & Specifications:

Unit:mm

Part NO.	Wire Range	Insulation O.D.	Material	Finish	Qty/reel
B1801-TB	AWG#18-#22	3.05mm(max)	Brass	Tin over Nickel	5,000 PCS
B1801-TP	AWG#18-#22	3.05mm(max)	Phosphor Bronze	Tin over Nickel	5,000 PCS
B1801-GB	AWG#18-#22	3.05mm(max)	Brass	Gold over Nickel	5,000 PCS
B1801-GP	AWG#18-#22	3.05mm(max)	Phosphor Bronze	Gold over Nickel	5,000 PCS

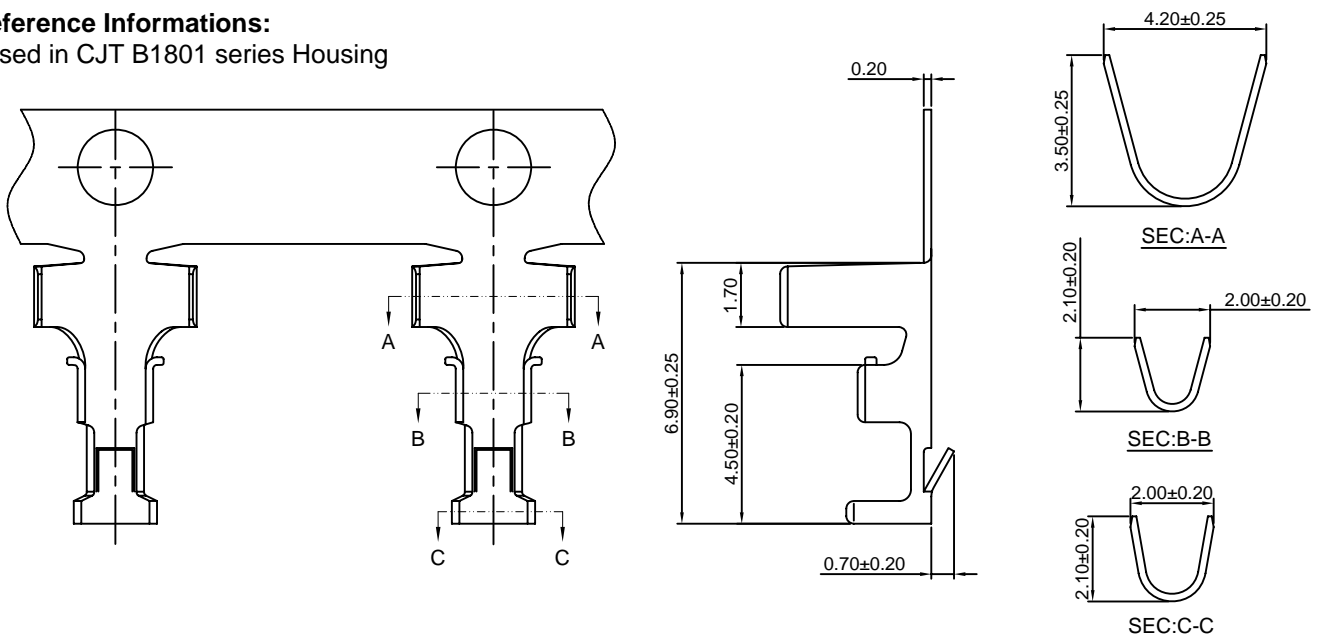
Optional Gold plating available but MOQ requested

## B1804-T

—1.80mm pitch Crimp Terminal—

### Reference Informations:

\*Used in CJT B1801 series Housing



### Ordering information & Specifications:

Unit:mm

Part NO.	Wire Range	Insulation O.D.	Material	Finish	Qty/reel
B1804-TB	AWG#18-#22	3.05mm(max)	Brass	Tin over Nickel	5,000 PCS
B1804-TP	AWG#18-#22	3.05mm(max)	Phosphor Bronze	Tin over Nickel	5,000 PCS
B1804-GB	AWG#18-#22	3.05mm(max)	Brass	Gold over Nickel	5,000 PCS
B1804-GP	AWG#18-#22	3.05mm(max)	Phosphor Bronze	Gold over Nickel	5,000 PCS

Optional Gold plating available but MOQ requested