

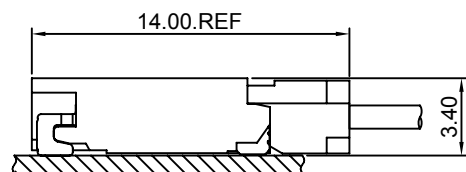
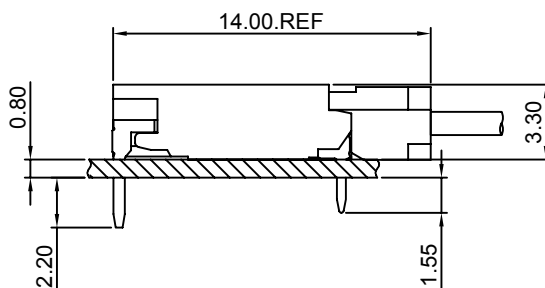
Specifications

- Current rating: 1A AC, DC
- Voltage rating: 1400V AC, DC
- Temperature range: -40°C ~ +105°C
- Contact resistance: 10mΩ Max.
- Insulation resistance: 1000MΩ Min.
- Withstanding voltage: 3800V AC/minute
- *Compliant with RoHS and REACH*
- *Meet the HF/Halogen Free, GWT/Glow wire Test (IEC60335-1) request, need to customize*
- *Contact CJT for details*

Standards



Assembly layout

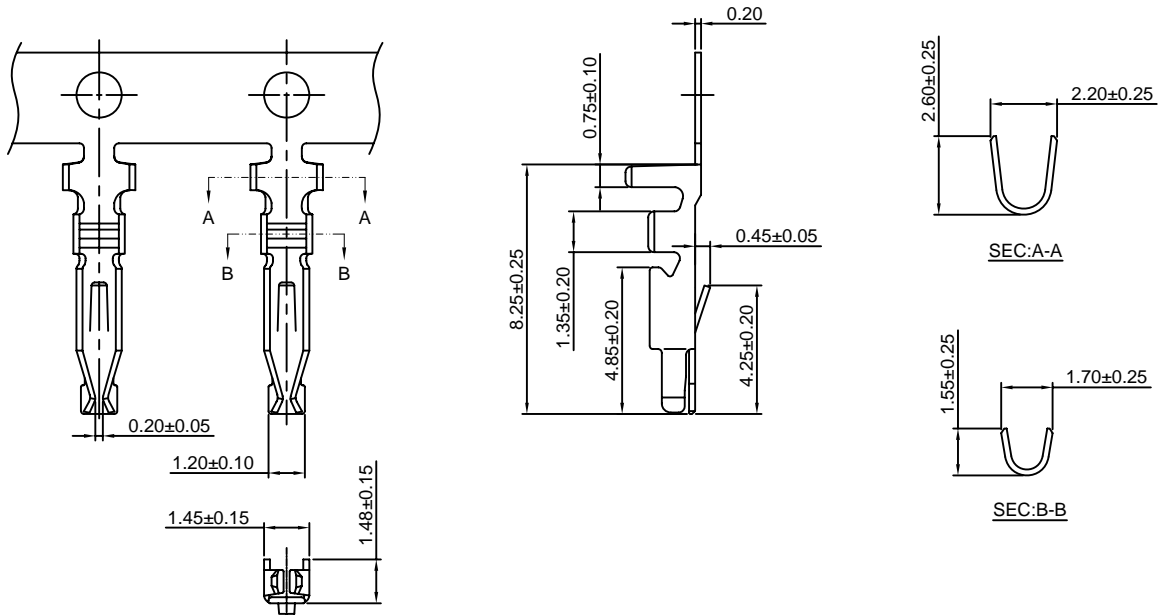


A3501-T

3.50mm Pitch Crimp Terminal

Reference Informations:

*Used in CJT A3501H,HA-XP series Housing



Ordering information & Specifications:

Unit:mm

Part NO.	Wire Range	Insulation O.D.	Material	Finish	Qty/reel
A3501-TP	AWG#24-#28	1.60mm(max)	Phosphor Bronze	Tin over Nickel	10,000 PCS
A3501-GP	AWG#24-#28	1.60mm(max)	Phosphor Bronze	Gold over Nickel	10,000 PCS

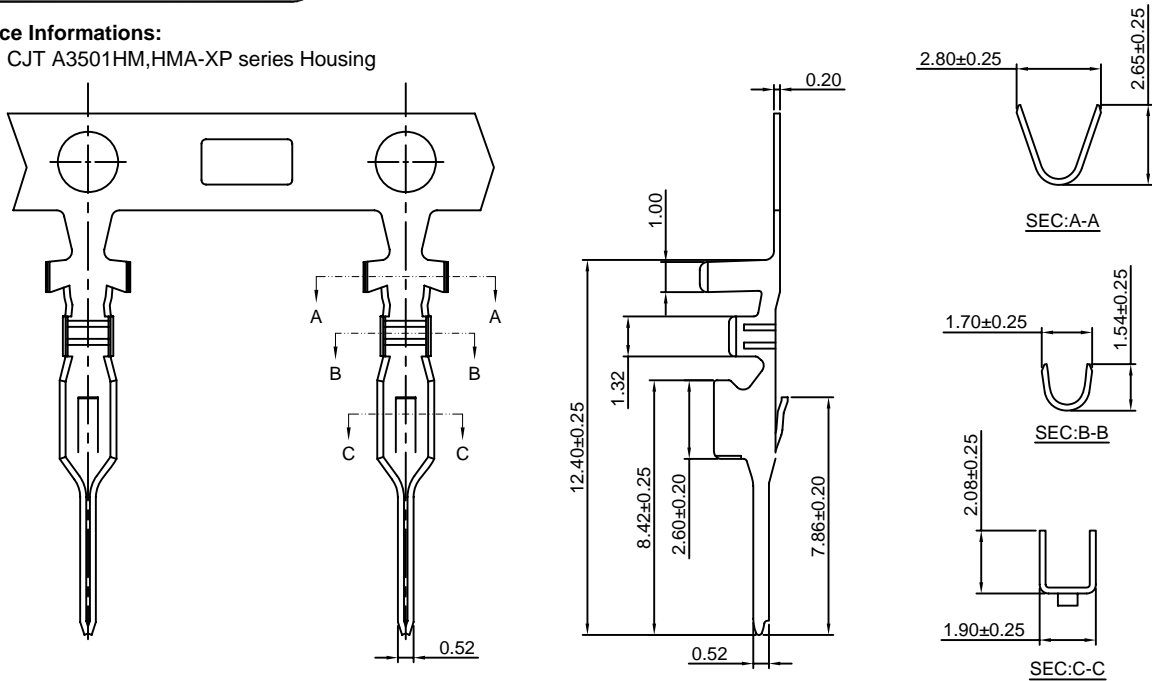
Optional Gold plating available but MOQ requested

A3501M-T

3.50mm Pitch Crimp Terminal

Reference Informations:

*Used in CJT A3501HM,HMA-XP series Housing



Ordering information & Specifications:

Unit:mm

Part NO.	Wire Range	Insulation O.D.	Material	Finish	Qty/reel
A3501M-TP	AWG#24-#28	1.80mm(max)	Phosphor Bronze	Tin over Nickel	5,000 PCS
A3501M-GP	AWG#24-#28	1.80mm(max)	Phosphor Bronze	Gold over Nickel	5,000 PCS

Optional Gold plating available but MOQ requested

A3501H-2P

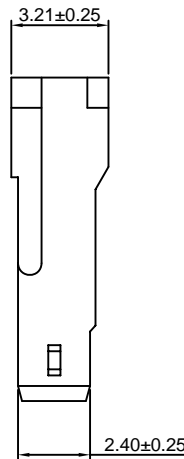
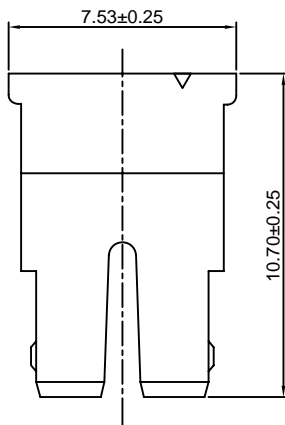
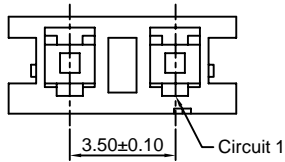
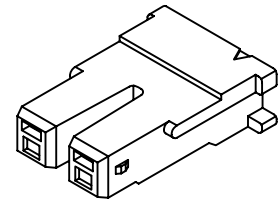
3.50mm Pitch Housing

Reference Informations:

- *Material:Nylon 66 , UL94V-0
- *Suitable CJT A3501-T series Terminal
- *Mates with CJT A3501HM-XP series Housing or A3501WR-XP,A3501WR-S-XP series Wafer
- *Color:White

Ordering Information:

- A3501H-2P - *** - **
 1 2 3
- 1.Part No.
 - 2.Material:
 (blank):Nylon 66,UL94V-0
 GWT:Nylon 66,UL94V-0,GWT 750°C
 - 3.Color:
 (blank):White
 GY:Gray



Unit: mm

A3501HA-2P

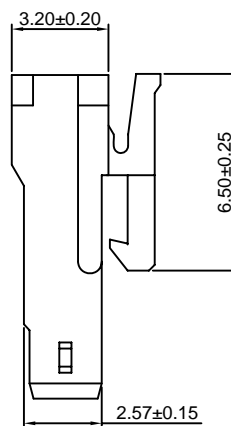
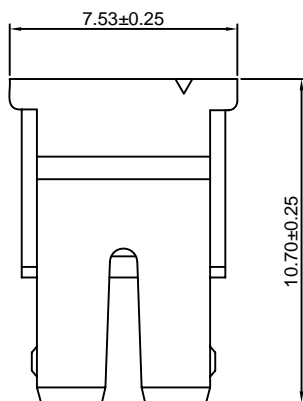
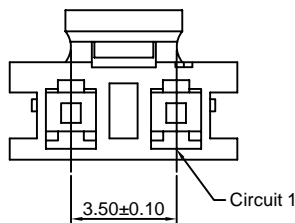
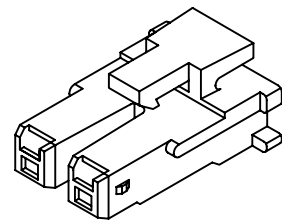
3.50mm Pitch Housing

Reference Informations:

- *Material:Nylon 66 , UL94V-0
- *Suitable CJT A3501-T series Terminal
- *Mates with CJT A3501HMA-XP series Housing or A3501WRA-XP, A3501WRA-S-XP series Wafer
- *Color:White

Ordering Information:

- A3501HA-2P - *** - **
 1 2 3
- 1.Part No.
 - 2.Material:
 (blank):Nylon 66,UL94V-0
 GWT:Nylon 66,UL94V-0,GWT 750°C
 - 3.Color:
 (blank):White
 GY:Gray



Unit: mm

A3501HM-2P

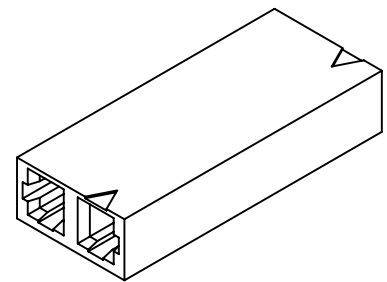
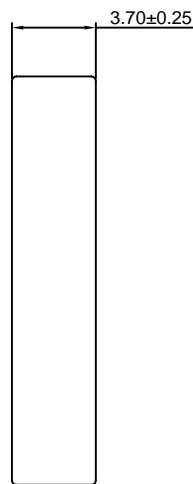
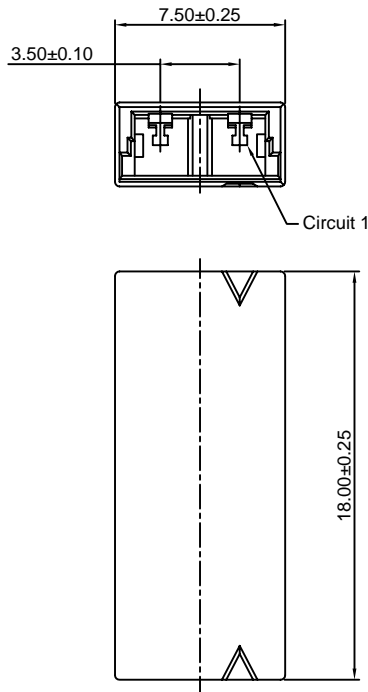
3.50mm Pitch Housing

Reference Informations:

- *Material:Nylon 66 , UL94V-0
- *Suitable CJT A3501M-T series Terminal
- *Mates with CJT A3501H-XP series Housing
- *Color:White

Ordering Information:

- A3501HM-2P - *** - **
 $\frac{1}{2} \frac{3}{3}$
- 1.Part No.
 - 2.Material:
 (blank):Nylon 66,UL94V-0
 GWT:Nylon 66,UL94V-0,GWT 750°C
 - 3.Color:
 (blank):White
 GY:Gray



Unit: mm

A3501HMA-2P

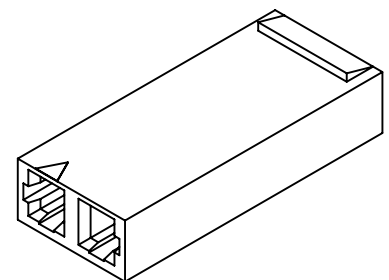
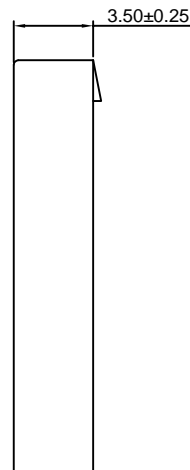
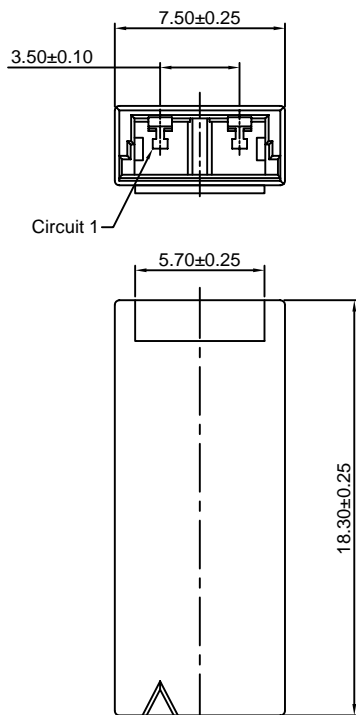
3.50mm Pitch Housing

Reference Informations:

- *Material:Nylon 66 , UL94V-0
- *Suitable CJT A3501M-T series Terminal
- *Mates with CJT A3501HA-XP series Housing
- *Color:White

Ordering Information:

- A3501HMA-2P - *** - **
 $\frac{1}{2} \frac{3}{3}$
- 1.Part No.
 - 2.Material:
 (blank):Nylon 66,UL94V-0
 GWT:Nylon 66,UL94V-0,GWT 750°C
 - 3.Color:
 (blank):White
 GY:Gray



Unit: mm

A3501WR-2P

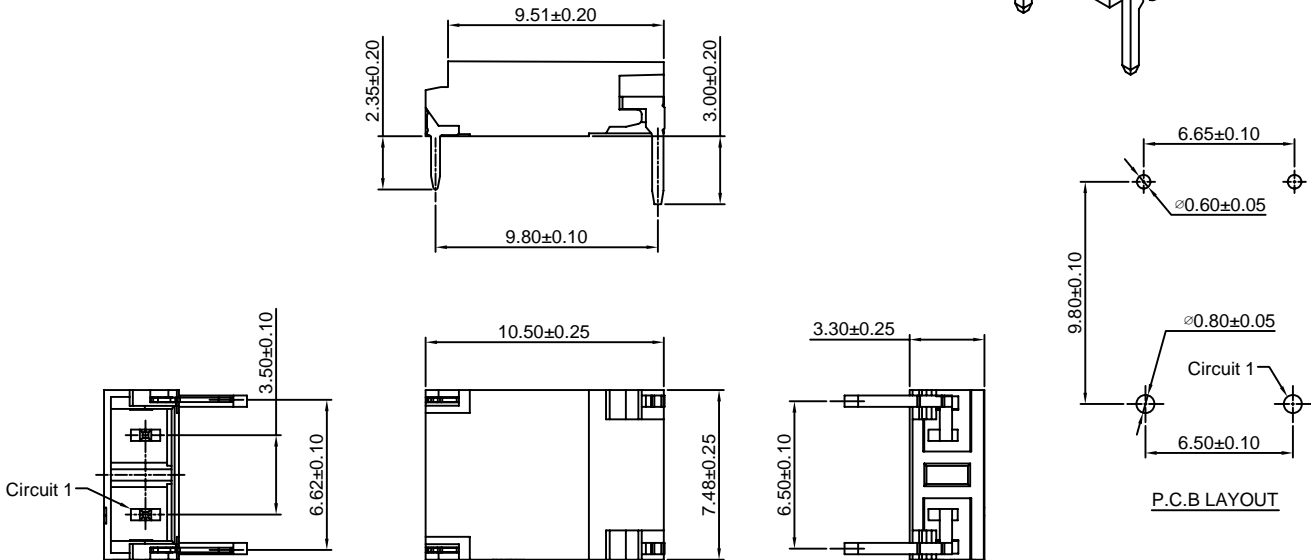
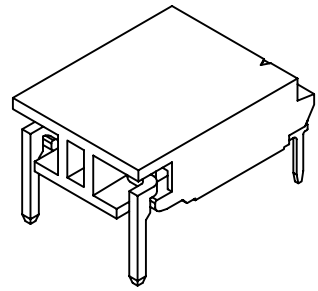
3.50mm Pitch 90° Wafer

Reference Informations:

- *Material:Pin:Barss/Tin over Nickel
Solder Pin:Barss/Tin over Nickel
Insulator:Nylon 6T , UL94V-0
- *Mates with CJT A3501H-XP series Housing
- *Color:White

Ordering Information:

- A3501WR-2P - ***
- | | |
|---|---|
| 1 | 2 |
|---|---|
- 1.Part No.
 - 2.Material:
(blank):Nylon 6T,UL94V-0
GWT:Nylon 6T,UL94V-0,GWT 750°C



Unit: mm

A3501WR-S-2P

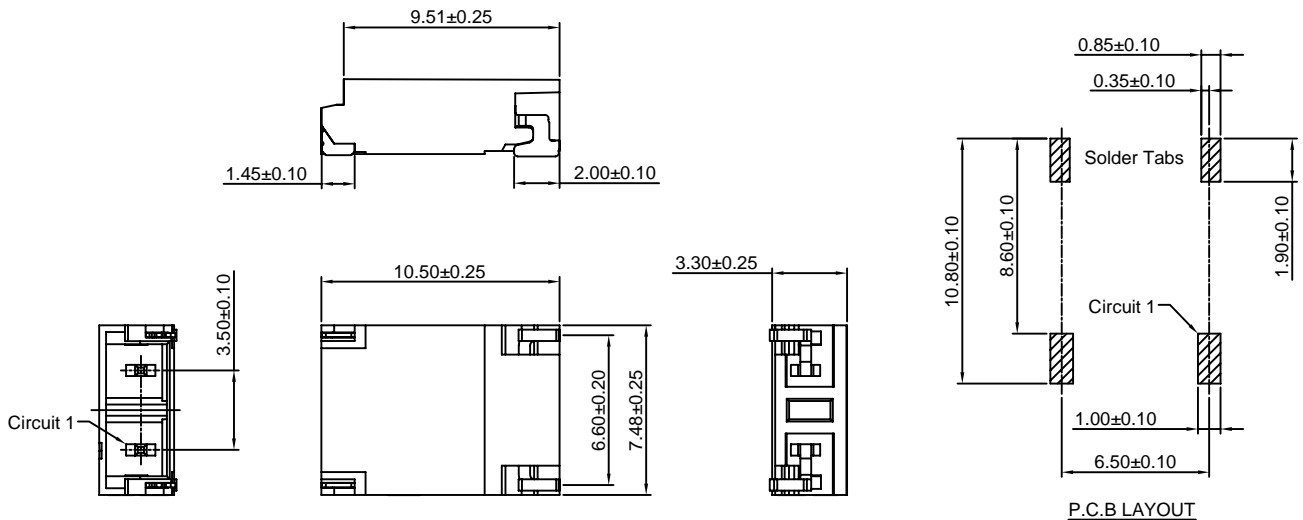
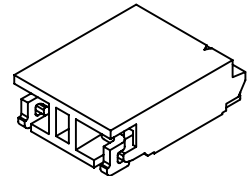
3.50mm Pitch 90° Wafer-SMY TYPE

Reference Informations:

- *Material:Pin:Barss/Tin over Nickel
Solder Tabs:Barss/Tin over Nickel
Insulator:Nylon 6T , UL94V-0
- *Mates with CJT A3501H-XP series Housing
- *Color:White

Ordering Information:

- A3501WR-S-2P - ***
- | | |
|---|---|
| 1 | 2 |
|---|---|
- 1.Part No.
 - 2.Material:
(blank):Nylon 6T,UL94V-0
GWT:Nylon 6T,UL94V-0,GWT 750°C



Unit: mm

A3501WRA-2P

3.50mm Pitch 90° Wafer

Reference Informations:

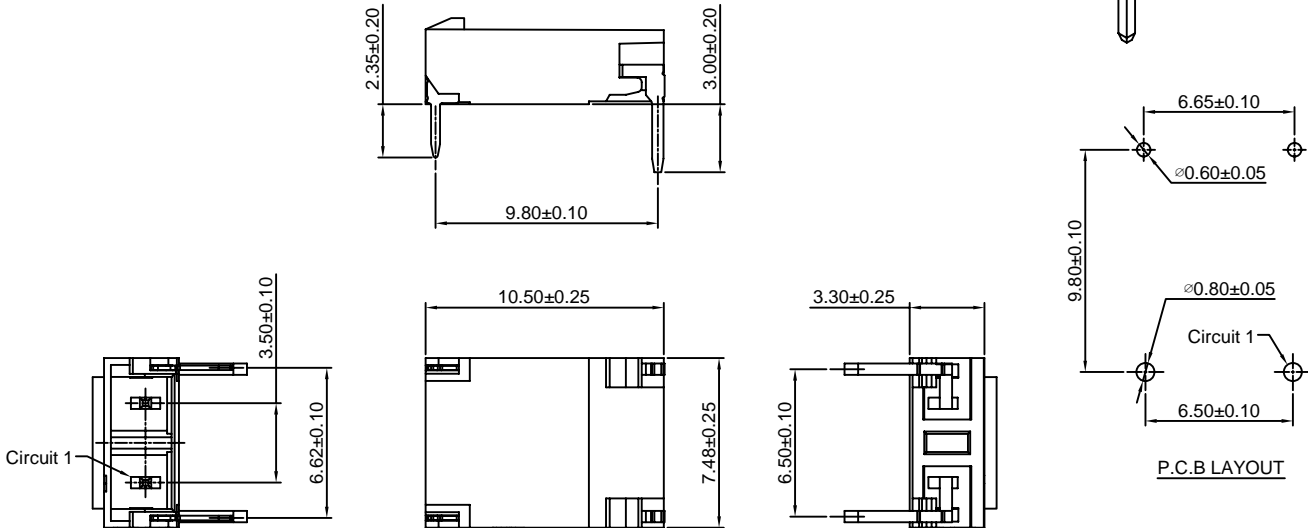
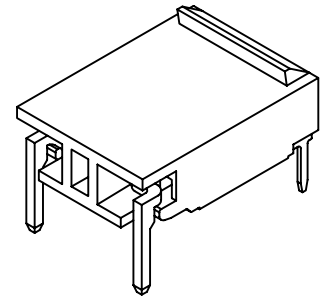
- *Material:Pin:Barss/Tin over Nickel
Insulator:Nylon 6T , UL94V-0
- *Mates with CJT A3501HA-XP series Housing
- *Color:White

Ordering Information:

- A3501WRA-2P - ***

1	2
---	---

 1.Part No.
 2.Material:
 (blank):Nylon 6T,UL94V-0
 GWT:Nylon 6T,UL94V-0,GWT 750°C



Unit: mm

A3501WRA-S-2P

3.50mm Pitch 90° Wafer-SMY TYPE

Reference Informations:

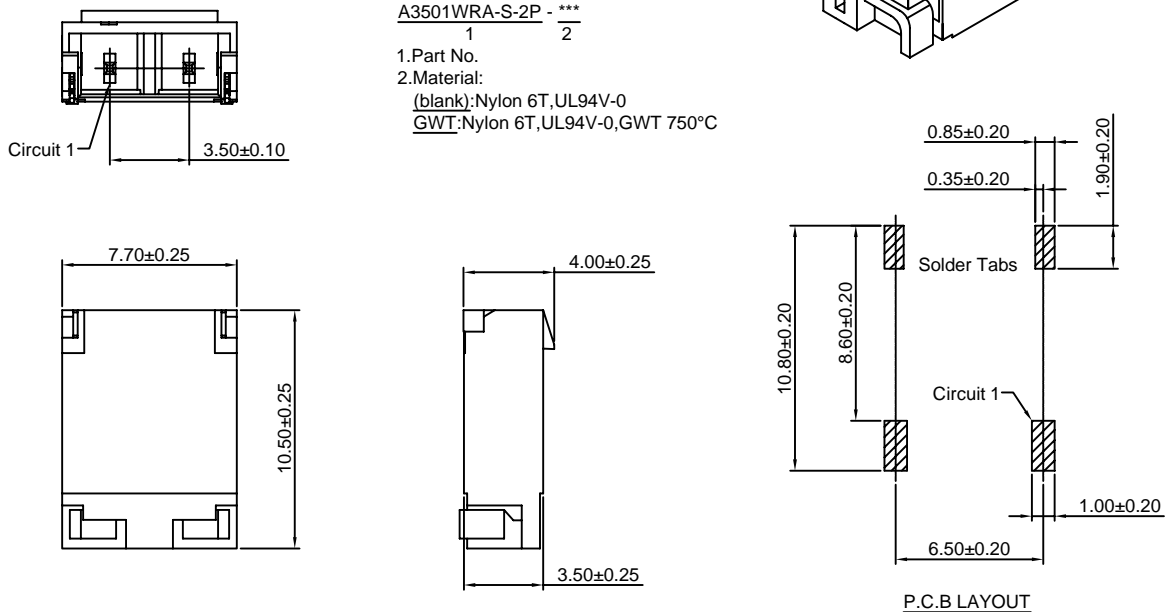
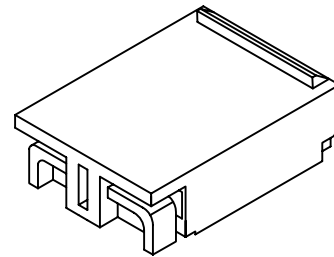
- *Material:Pin:Barss/Tin over Nickel
Solder Tabs:Barss/Tin over Nickel
Insulator:Nylon 6T , UL94V-0
- *Mates with CJT A3501HA-XP series Housing
- *Color:White

Ordering Information:

- A3501WRA-S-2P - ***

1	2
---	---

 1.Part No.
 2.Material:
 (blank):Nylon 6T,UL94V-0
 GWT:Nylon 6T,UL94V-0,GWT 750°C



Unit: mm