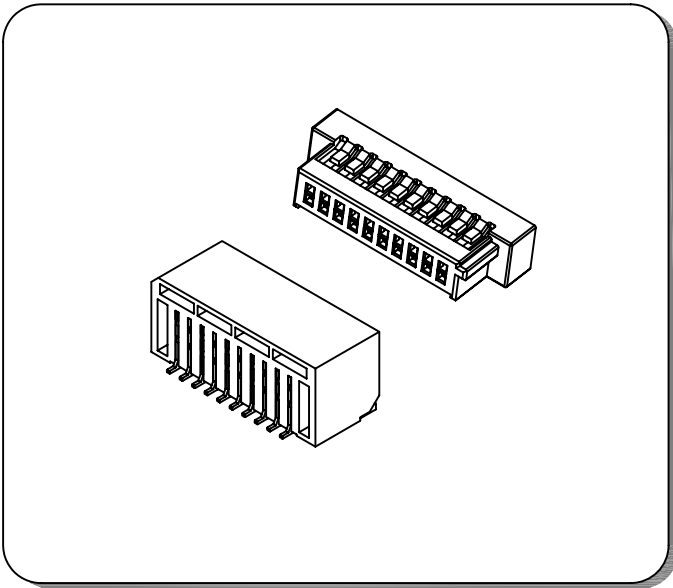
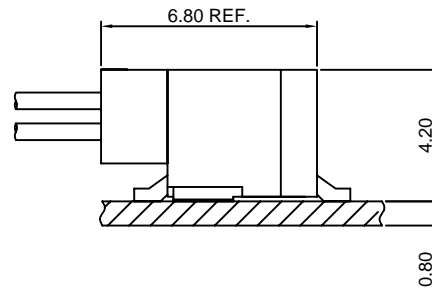


Specifications

- Current rating: 1A AC, DC
- Voltage rating: 100V AC, DC
- Temperature range: -40°C ~ +105°C
- Contact resistance: 40mΩ Max.
- Insulation resistance: 100MΩ Min.
- Withstanding voltage: 500V AC/minute
- *Compliant with RoHS and REACH*
- *Meet the HF/Halogen Free, need to customize*
- *Contact CJT for details*



Assembly layout

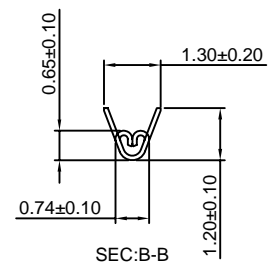
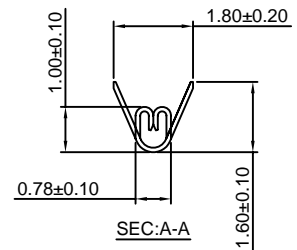
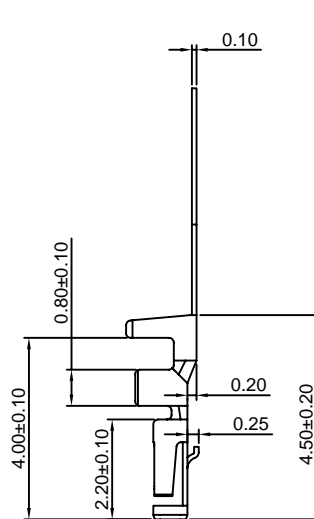
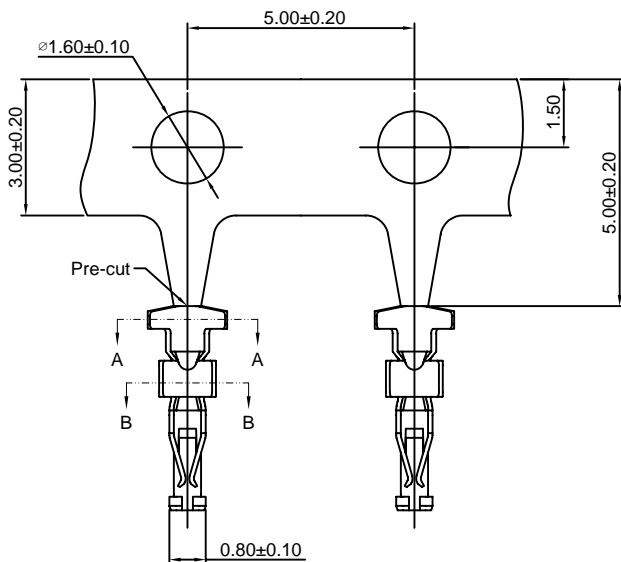


A1007-T

1.00mm pitch Crimp Terminal

Reference Informations:

*Used in CJT A1007H-2xXP series Housing



Ordering information & Specifications:

Unit:mm

Part NO.	Wire Range	Insulation O.D.	Material	Finish	Qty/reel
A1007-TP	AWG#28-#32	0.80mm(max)	Phosphor Bronze	Tin over Nickel	15,000 PCS
A1007-GP	AWG#28-#32	0.80mm(max)	Phosphor Bronze	Gold over Nickel	15,000 PCS

Optional Gold plating available but MOQ requested

A1007H-2xXP

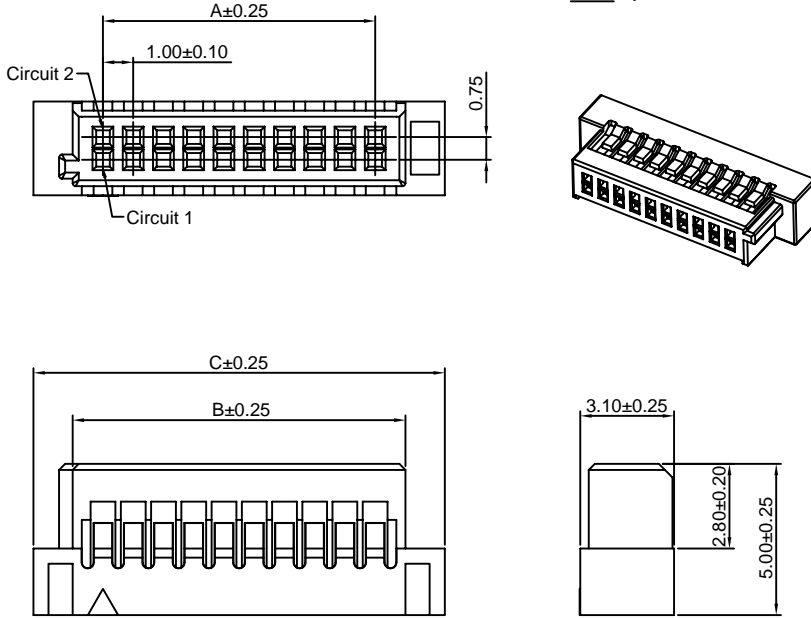
1.00mm pitch Dual Row Housing

Reference Informations:

- *Material: Nylon 66,UL94V-0
- *Suitable CJT A1007-T series Terminal
- *Mates with CJT A1007WR-S-2xXP series Dual Row Wafer
- *Color:Ivory

Ordering Information:

- A1007H-2xXP - ***
 $\frac{1}{2}$
- 1.Part No.
 2.Material:
 (Blank):Nylon 6T,UL94V-0
 GWT:Nylon 6T,UL94V-0 GWT 750°C



Ordering Information & Dimensions:

PART NO.	Dimensions		
	A	B	C
2x3P	2.00	4.00	6.60
2x4P	3.00	5.00	7.60
2x5P	4.00	6.00	8.60
2x6P	5.00	7.00	9.60
2x7P	6.00	8.00	10.60
2x8P	7.00	9.00	11.60
2x9P	8.00	10.00	12.60
2x10P	9.00	11.00	13.60
2x11P	10.00	12.00	14.60
2x12P	11.00	13.00	15.60
2x13P	12.00	14.00	16.60
2x14P	13.00	15.00	17.60
2x15P	14.00	16.00	18.60
2x16P	15.00	17.00	19.60
2x17P	16.00	18.00	20.60
2x18P	17.00	19.00	21.60
2x19P	18.00	20.00	22.60
2x20P	19.00	21.00	23.60
2x21P	20.00	22.00	24.60
2x22P	21.00	23.00	25.60
2x23P	22.00	24.00	26.60
2x24P	23.00	25.00	27.60
2x25P	24.00	26.00	28.60

Unit: mm

A1007WR-S-2xXP

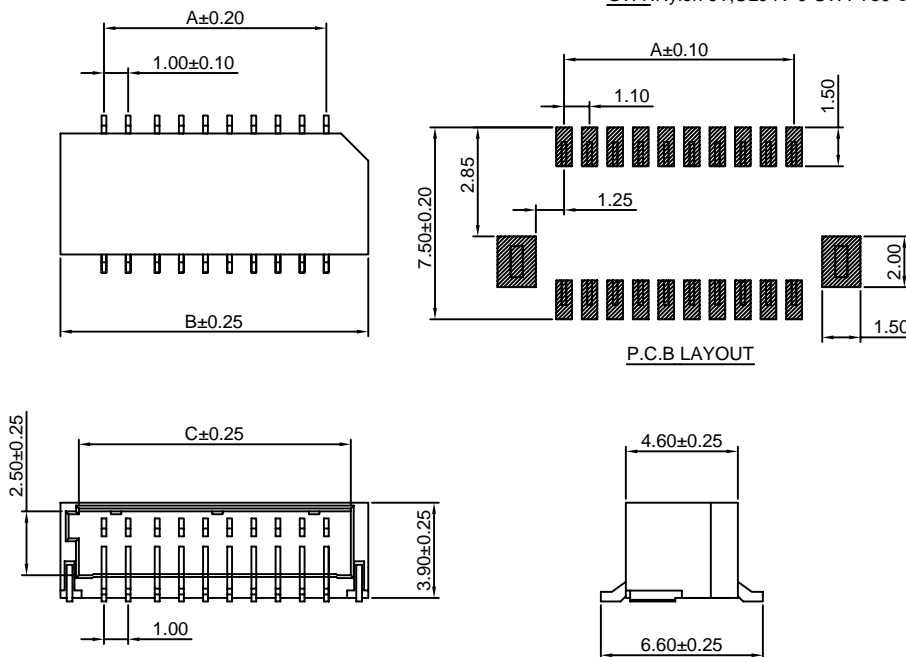
1.00mm pitch 90° Dual Row Wafer-SMT TYPE

Reference Informations:

- *Material:Pin:Phosphor Bronze/Tin over Nickel
Insulator:Nylon 9T,UL94V-0
- *Mates with CJT A1007H-2xXP series Dual Row Housing
- *Color:Ivory

Ordering Information:

- A1007WR-S-2xXP - ***
 $\frac{1}{2}$
- 1.Part No.
 2.Material:
 (Blank):Nylon 9T,UL94V-0
 GWT:Nylon 9T,UL94V-0 GWT 750°C



Ordering Information & Dimensions:

PART NO.	Dimensions		
	A	B	C
2x3P	2.00	5.60	4.20
2x4P	3.00	6.60	5.20
2x5P	4.00	7.60	6.20
2x6P	5.00	8.60	7.20
2x7P	6.00	9.60	8.20
2x8P	7.00	10.60	9.20
2x9P	8.00	11.60	10.20
2x10P	9.00	12.60	11.20
2x11P	10.00	13.60	12.20
2x12P	11.00	14.60	13.20
2x13P	12.00	15.60	14.20
2x14P	13.00	16.60	15.20
2x15P	14.00	17.60	16.20
2x16P	15.00	18.60	17.20
2x17P	16.00	19.60	18.20
2x18P	17.00	20.60	19.20
2x19P	18.00	21.60	20.20
2x20P	19.00	22.60	21.20
2x21P	20.00	23.60	22.20
2x22P	21.00	24.60	23.20
2x23P	22.00	25.60	24.20
2x24P	23.00	26.60	25.20
2x25P	24.00	27.60	26.20

Unit: mm