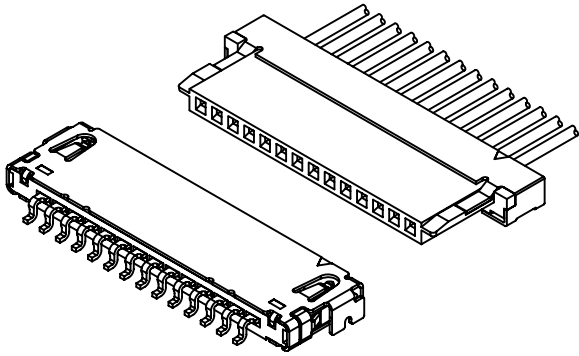
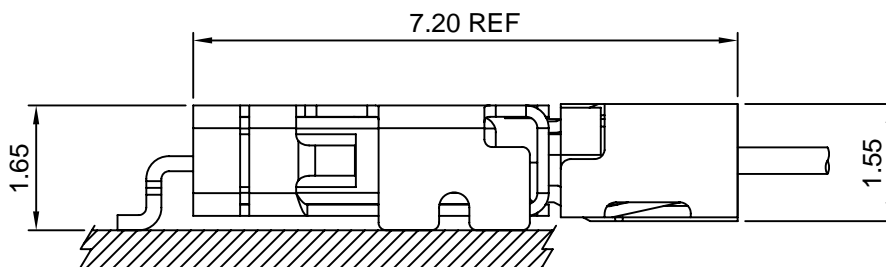


Specifications

- Current rating:1A AC,DC
- Voltage rating:100V AC,DC
- Temperature range:-40°C~+105°C
- Contact resistance:30mΩMax.
- Insulation resistance:500MΩMin.
- Withstanding voltage:500V AC/minute
- *Compliant with RoHS and REACH*
- *Meet the HF/Halogen Free,need to customize*
- *Contact CJT for details*



Assembly layout

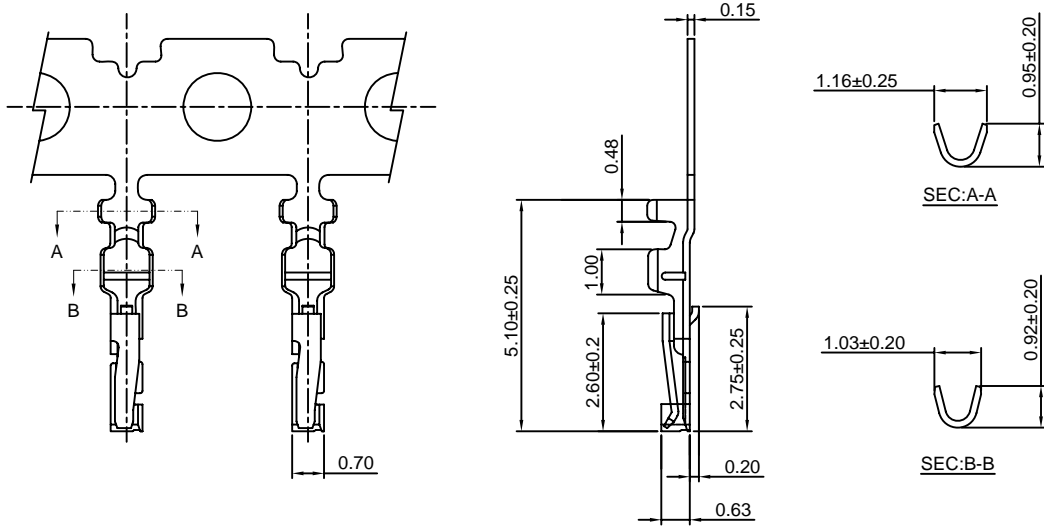


A1004-T

1.00mm pitch Crimp Terminal

Reference Informations:

*Used in CJT A1004H-XP series Housing



Ordering information & Specifications:

Unit:mm

Part NO.	Wire Range	Insulation O.D.	Material	Finish	Qty/reel
A1004-GP	AWG#28-#32	0.60mm(max)	Phosphor Bronze	Gold over Nickel	15,000 PCS

Optional Gold plating available but MOQ requested

A1004H-XP

1.00mm pitch Housing

Reference Informations:

*Material: Insulator:Nylon 66,UL94V-0

Shell:Phosphor Bronze/Tin over Nickel

*Suitable CJT A1004-T series Terminal

*Mates with CJT A1004WR-S-XP series Wafer

*Color:Ivory

Ordering Information:

A1004H-XP - ***

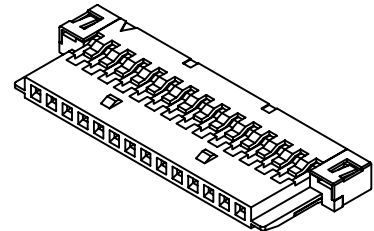
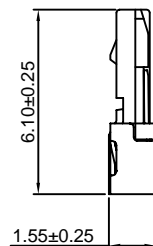
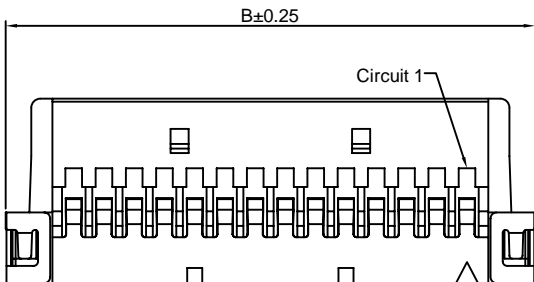
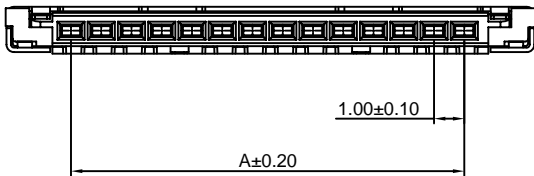
1 2

1.Part No.

2.Material:

(Blank):Nylon 66,UL94V-0

GWT:Nylon 66,UL94V-0,GWT 750°C



Ordering Information & Dimensions:

PART NO.	Dimensions	
	A	B
8P	7.00	11.50
14P	13.00	17.50
20P	19.00	23.50
30P	29.00	33.50

Unit: mm

A1004WR-S-XP

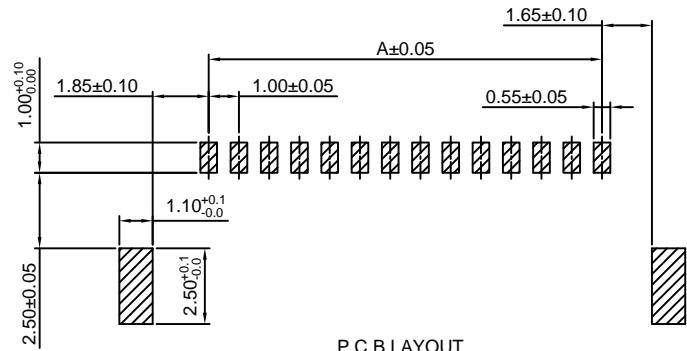
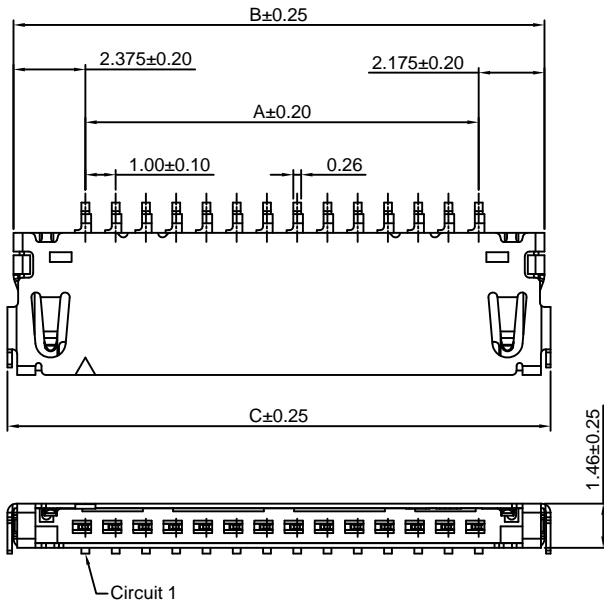
1.00mm pitch 90° Wafer-SMT TYPE

Reference Informations:

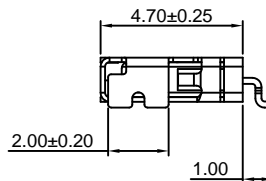
- *Material:Pin:Phosphor Bronze/Gold over Nickel
Shell:Phosphor Bronze/Tin over Nickel
Insulator:Nylon 6T,UL94V-0
- *Mates with CJT A1004H-XP series Housing
- *Color:Ivory

Ordering Information:

- A1004WR-S-XP - ***
 $\frac{1}{2}$
 1.Part No.
 2.Material:
 (Blank):Nylon 6T,UL94V-0
 GWT:Nylon 6T,UL94V-0,GWT 750 °C



P.C.B LAYOUT



Ordering Information & Dimensions:

PART NO.	Dimensions		
	A	B	C
8P	7.00	11.50	11.95
14P	13.00	17.50	17.95
20P	19.00	23.50	23.95
30P	29.00	33.50	33.95

Unit: mm