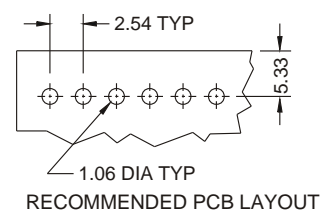
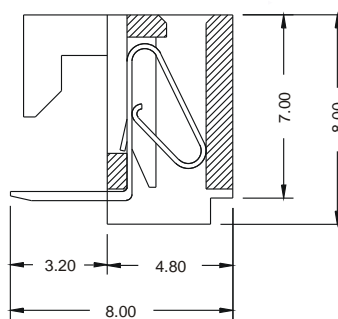
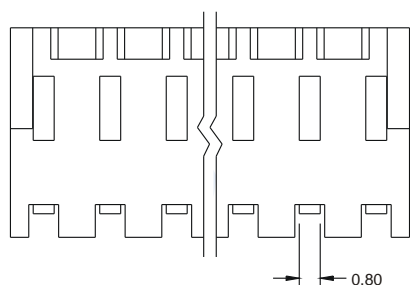
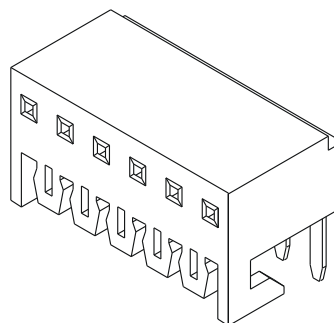
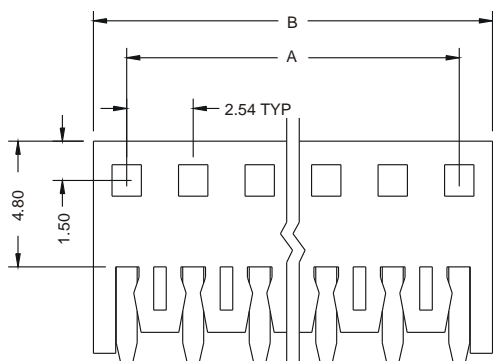


## B2541AW — 2.54mm pitch Right Angle Mount Housing

### Reference Informations:

- \* Material: Nylon UL 94V-0
- \* Current rating : 2.5A, AC/DC
- \* Voltage rating : 250V, AC/DC
- \* End- to- end stackable
- \* Mates with 0.64mm square pin headers
- \*Tolarance:(unit:mm) .0 ±0.25/ .00 ±0.15/ .000 ±0.10



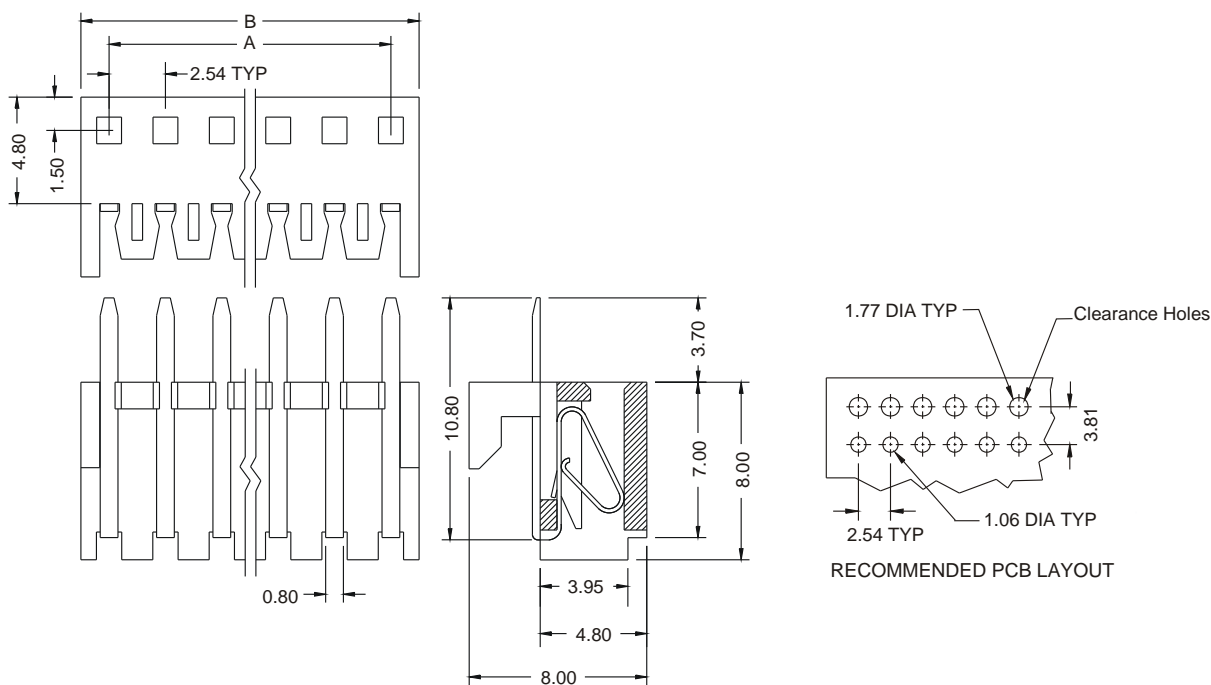
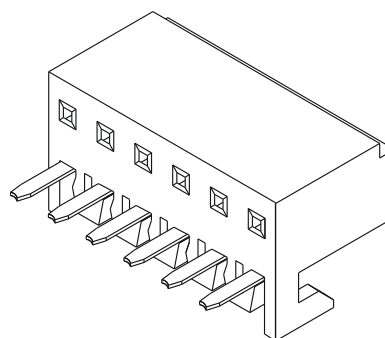
### Ordering Information & Dimensions:

PART NO.	A	B	PART NO.	A	B
B2541AW-2P	2.54	5.08	B2541AW-11P	25.40	27.94
B2541AW-3P	5.08	7.62	B2541AW-12P	27.94	30.48
B2541AW-4P	7.62	10.16	B2541AW-13P	30.48	33.02
B2541AW-5P	10.16	12.70	B2541AW-14P	33.02	35.56
B2541AW-6P	12.70	15.24	B2541AW-15P	35.56	38.10
B2541AW-7P	15.24	17.78	B2541AW-16P	38.10	40.64
B2541AW-8P	17.78	20.32	B2541AW-17P	40.64	43.18
B2541AW-9P	20.32	22.86	B2541AW-18P	43.18	45.72
B2541AW-10P	22.86	25.40	B2541AW-19P	45.72	48.26

## B2541BW — 2.54mm pitch Bottom Entry Housing

### Reference Informations:

- \* Material: Nylon UL 94V-0
- \* Current rating : 2.5A, AC/DC
- \* Voltage rating : 250V, AC/DC
- \* End- to- end stackable
- \* Mates with 0.64mm square pin headers
- \*Tolarance:(unit:mm) .0 ±0.25/ .00 ±0.15/ .000 ±0.10



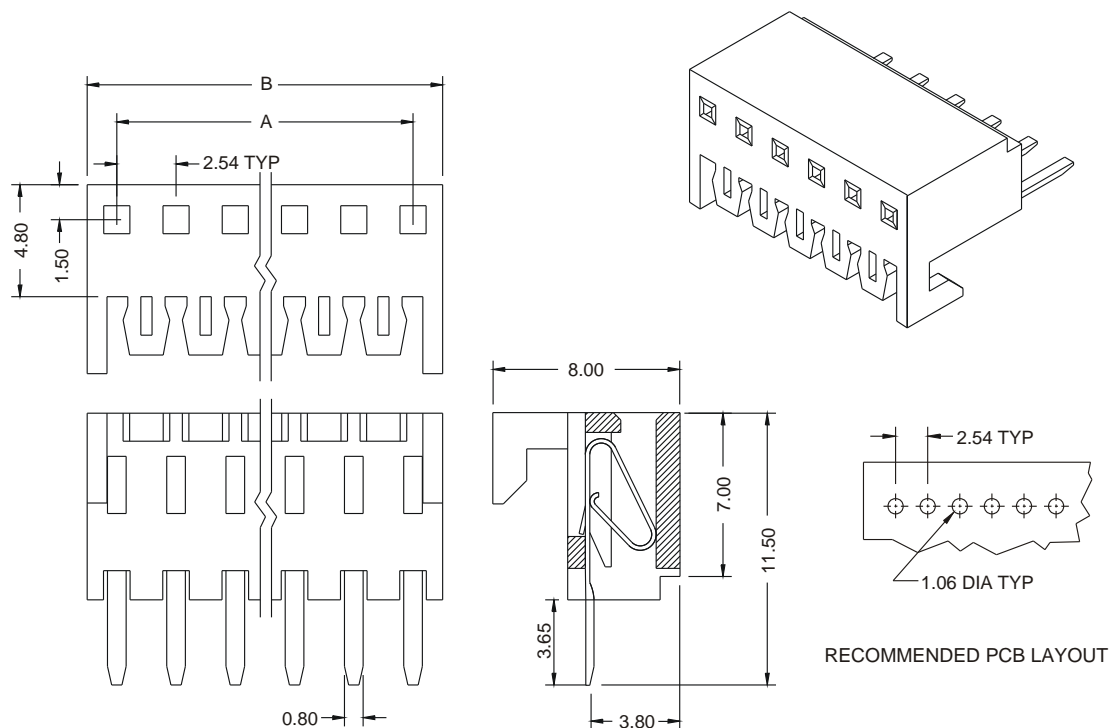
### Ordering Information & Dimensions:

PART NO.	A	B	PART NO.	A	B
B2541BW-2P	2.54	5.08	B2541BW-11P	25.40	27.94
B2541BW-3P	5.08	7.62	B2541BW-12P	27.94	30.48
B2541BW-4P	7.62	10.16	B2541BW-13P	30.48	33.02
B2541BW-5P	10.16	12.70	B2541BW-14P	33.02	35.56
B2541BW-6P	12.70	15.24	B2541BW-15P	35.56	38.10
B2541BW-7P	15.24	17.78	B2541BW-16P	38.10	40.64
B2541BW-8P	17.78	20.32	B2541BW-17P	40.64	43.18
B2541BW-9P	20.32	22.86	B2541BW-18P	43.18	45.72
B2541BW-10P	22.86	25.40	B2541BW-19P	45.72	48.26

## B2541CW — 2.54mm pitch Top Entry Housing

### Reference Informations:

- \* Material: Nylon UL 94V-0
- \* Current rating : 2.5A, AC/DC
- \* Voltage rating : 250V, AC/DC
- \* End- to- end stackable
- \* Mates with 0.64mm square pin headers
- \*Tolarance:(unit:mm) .0 ±0.25/ .00 ±0.15/ .000 ±0.10



### Ordering Information & Dimensions:

PART NO.	A	B	PART NO.	A	B
B2541CW-2P	2.54	5.08	B2541CW-11P	25.40	27.94
B2541CW-3P	5.08	7.62	B2541CW-12P	27.94	30.48
B2541CW-4P	7.62	10.16	B2541CW-13P	30.48	33.02
B2541CW-5P	10.16	12.70	B2541CW-14P	33.02	35.56
B2541CW-6P	12.70	15.24	B2541CW-15P	35.56	38.10
B2541CW-7P	15.24	17.78	B2541CW-16P	38.10	40.64
B2541CW-8P	17.78	20.32	B2541CW-17P	40.64	43.18
B2541CW-9P	20.32	22.86	B2541CW-18P	43.18	45.72
B2541CW-10P	22.86	25.40	B2541CW-19P	45.72	48.26