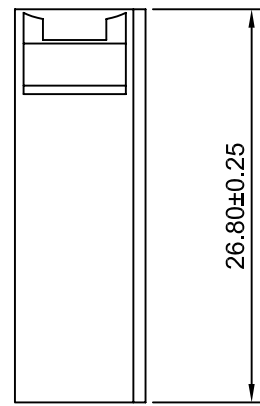
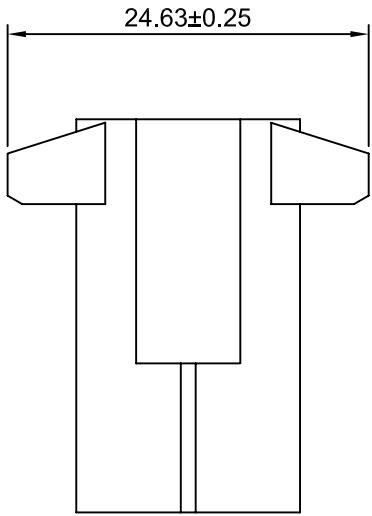


SPECIFICATIONS:
 Current Rating: 13A AC,DC
 Voltage Rating: 250V AC,DC
 Temperature Range: -40°C ~ +105°C
 Contact Resistance: 3.5mΩ Max
 Insulation Resistance: 1000MΩ Min
 Withstanding Voltage: 5000V AC/minute
 Material: Nylon 66,UL94V-2 or UL94V-0



Ordering Information & Dimensions

PART NO.	Color	Material
2P	Natural	Nylon66(V2)
2P-V0	White	Nylon66(V0)
2P-BK	Black	Nylon66(V2)
2P-GY	Gray	Nylon66(V2)
2P-VI	Violet	Nylon66(V2)
2P-GN	Green	Nylon66(V2)
2P-YL	Yellow	Nylon66(V2)
2P-OR	Orange	Nylon66(V2)
2P-BR	Brown	Nylon66(V2)

CJTconn CHANGJIANG CONNECTORS CO.,LTD.

Unit mm	Scale 2:1	Sheet 1 of 1	Title : 7.11mm PITCH Housing
Draw BY: Yinzhipeng	Approved : GONGYB		
General Tolerance			
A0	NEW RELEEASE	2012.12.13	DRAW NO : C7110HM-2P
REV	DESCRIPTION	DATE	

x.x≤0.25
 x.xx≤0.20
 x.xxx≤0.15

ANGLE±

REV A0