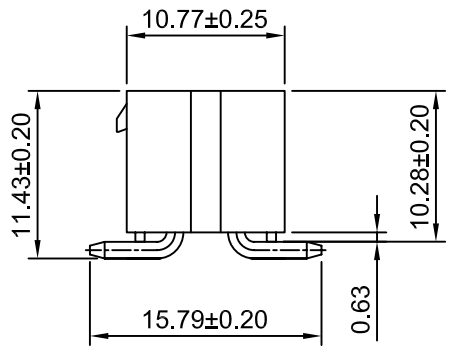
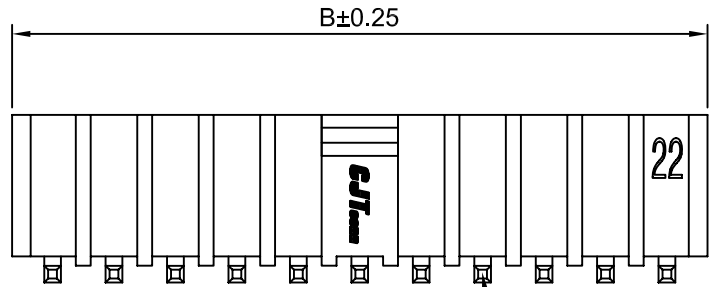
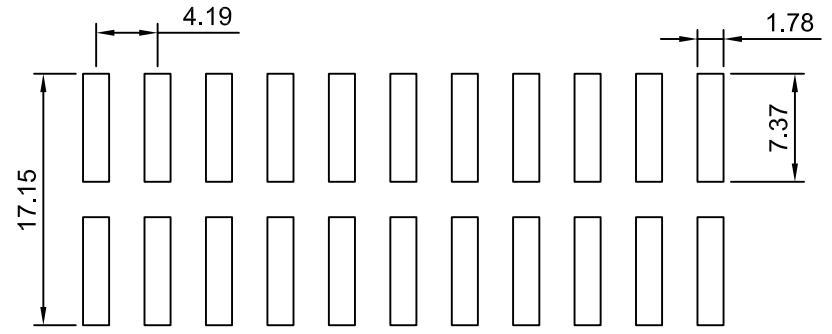


2x3P~2x15P



Pin 1.14 SQ



P.C.B LAYOUT

**SPECIFICATIONS:**

Current Rating: 9A AC,DC  
 Voltage Rating: 600V AC,DC  
 Temperature Range: -55°C ~ +105°C  
 Contact Resistance: 10mΩ Max  
 After environmental testing: 20mΩ Max  
 Insulation Resistance: 1000MΩ Min  
 Withstanding Voltage: 1500V AC/minute  
 Pin Material: Brass/Tin over Nickel  
 Material: LCP , UL94V-0(Black)

**Ordering Information & Dimensions**

| Circuits | Dimensions(mm) |       | Circuits | Dimensions(mm) |       |
|----------|----------------|-------|----------|----------------|-------|
|          | A              | B     |          | A              | B     |
| 2x2P     | 4.19           | 9.40  | 2x9P     | 33.52          | 38.73 |
| 2x3P     | 8.38           | 13.59 | 2x10P    | 37.71          | 42.92 |
| 2x4P     | 12.57          | 17.78 | 2x11P    | 41.90          | 47.11 |
| 2x5P     | 16.76          | 21.97 | 2x12P    | 46.09          | 51.30 |
| 2x6P     | 20.95          | 26.16 | 2x13P    | 50.28          | 55.49 |
| 2x7P     | 25.14          | 30.35 | 2x14P    | 54.47          | 59.68 |
| 2x8P     | 29.33          | 34.54 | 2x15P    | 58.66          | 63.87 |

**CJTconn** CHANGJIANG CONNECTORS CO.,LTD.

|                      |                      |                 |   |
|----------------------|----------------------|-----------------|---|
| Unit<br>mm           | Scale<br>2:1         | Sheet<br>1 of 1 | Title :<br><b>4.19mm PITCH</b><br><br><b>DUAL ROW WAFER</b> |
| Draw BY:<br>Jack Yin | Approved :<br>GONGYB |                 |   |
| General Tolerance    |                      |                 |   |
| A0                   | NEW RELEASE          | 2015.03.11      |   |
| REV                  | DESCRIPTION          | DATE            | DRAW NO : C4201WVS-S-2xXP                                   |

ANGLE±

REV A1

|     |             |            |            |        |
|-----|-------------|------------|------------|--------|
| A0  | NEW RELEASE | 2015.03.11 | x.x≤0.25   | ANGLE± |
| REV | DESCRIPTION | DATE       | x.xx≤0.20  |        |
|     |             |            | x.xxx≤0.15 |        |