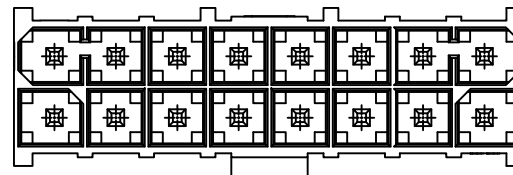


2x3P~2x15P
ODD POSITIONS



2x2P~2x14P
EVEN POSITIONS

Ordering Information:

C4201WVS-2xXP - *** - ***
1 2 3

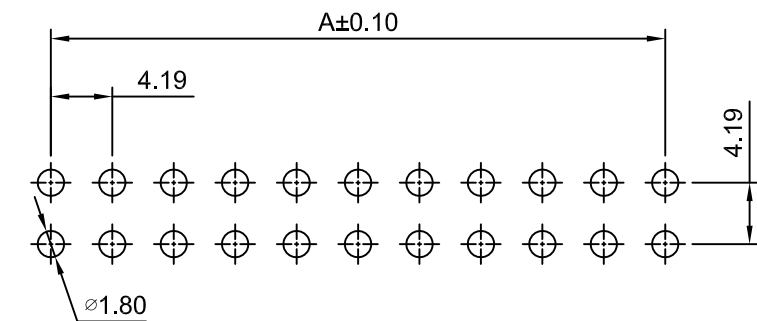
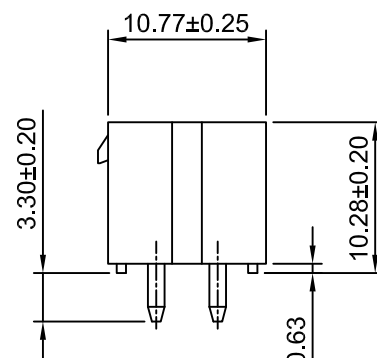
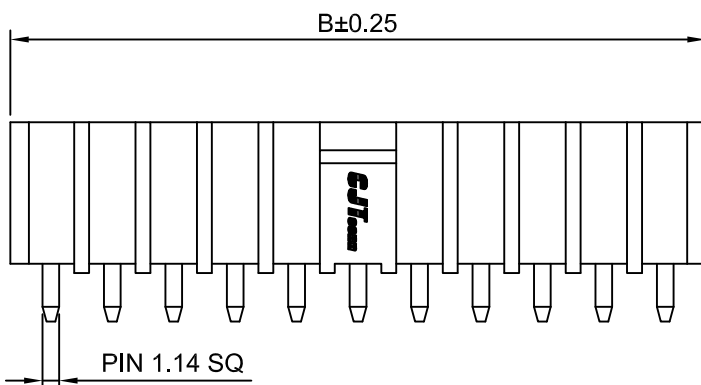
- 1.Part NO.
- 2.Color:
(blank): Black
IV: Ivory
- 3.Finish:
(blank): Tin over Nickel
G: Gold over Nickel

SPECIFICATIONS:

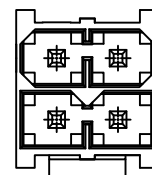
Current Rating: 9A AC,DC
Voltage Rating: 600V AC,DC
Temperature Range: -55°C ~ +105°C
Contact Resistance: 10mΩ Max
After environmental testing: 20mΩ Max
Insulation Resistance: 1000MΩ Min
Withstanding Voltage: 1500V AC/minute
Pin Material:Brass
Material: LCP,UL94V-0

Ordering Information & Dimensions

Part NO.	Dimensions(mm)	
	A	B
C4201WVS-2x2P	4.19	9.72
C4201WVS-2x3P	8.38	13.91
C4201WVS-2x4P	12.57	18.10
C4201WVS-2x5P	16.76	22.29
C4201WVS-2x6P	20.95	26.48
C4201WVS-2x7P	25.14	30.67
C4201WVS-2x8P	29.33	34.86
C4201WVS-2x9P	33.52	39.05
C4201WVS-2x10P	37.71	43.24
C4201WVS-2x11P	41.90	47.43
C4201WVS-2x12P	46.09	51.62
C4201WVS-2x13P	50.28	55.81
C4201WVS-2x14P	54.47	60.00
C4201WVS-2x15P	58.66	64.19



P.C.B LAYOUT
TOLERANCE:±0.05



2x2P

CJTconn CHANGJIANG CONNECTORS CO.,LTD.

Unit	Scale	Sheet	TITLE
mm	2:1	1 of 1	4.19mm PITCH 180° DUAL ROW DIP WAFER
DRWN	CHK'D	APPR	
Dengchun Yi	Dlankul Wan	Jack Yin	
General Tolerances		THIRD ANGLE PROJECTION	DRAWING NO.
x.x±0.25 x.xx±0.20 x.xxx±0.15 ANGLES ±1°			C4201WVS-2xXP
REV	DESCRIPTION		DATE

A3	CHANGE THE SIZE	2020.11.05
A2	CHANGE THE DRAWING	2020.09.08
A1	CHANGE THE DRAWING	2019.11.30
A0	NEW RELEASE	2015.03.11
REV	DESCRIPTION	DATE