

Ordering Information:

C4201HM-2xXP - ** - **
 1 2 3

1.Part No.

2.Material:

(blank):Nylon 66 UL94V-2

V0:Nylon 66 UL94V-0

GWT:Nylon 66 UL94V-0,GWT 750°C

3.Color:

(blank):Natural

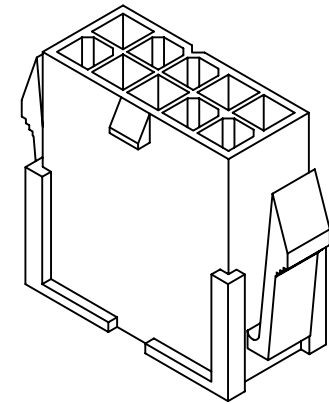
WH:White

BK:Black

RD:Red

YL:Yellow

BL:Blue



SPECIFICATIONS:

Current Rating: 9A AC,DC

Voltage Rating: 600V AC,DC

Temperature Range: -40°C ~ +105°C

Contact Resistance: 10mΩ Max

Insulation Resistance: 1000MΩ Min

Withstanding Voltage: 1500V AC/minute

Material: Nylon 66,UL94V-2(Natural)

Ordering Information & Dimensions

Circuits	Dimensions(mm)		Circuits	Dimensions(mm)	
	A	B		A	B
2x1P	---	5.40	2x7P	25.20	30.60
2x2P	4.20	9.60	2x8P	29.40	34.80
2x3P	8.40	13.80	2x9P	33.60	39.00
2x4P	12.60	18.00	2x10P	37.80	43.20
2x5P	16.80	22.20	2x11P	42.00	47.40
2x6P	21.00	26.40	2x12P	46.20	51.60



CHANGJIANG CONNECTORS CO.,LTD.

Unit	Scale	Sheet
mm	2:1	1 of 1

Draw BY:	Approved :
LIZQ	GONGYB

Title :
4.20mm PITCH
DUAL ROW HOUSING

A2	Modify the size	2015.05.09	General Tolerance	
A1	Change tolerance	2014.07.25	x.xx≤0.25	ANGLE±
A0	NEW RELEEASE	2005.05.10	x.xxx≤0.20	⊕
REV	DESCRIPTION	DATE	x.xxx≤0.15	

DRAW NO : C4201HM-2xXP REV A2