

Ordering Information:

C4201HF-XP - \*\* - \*\*  
 1 2 3

1.Part No.

2.Material:

(blank):Nylon 66 UL94V-2

V0:Nylon 66 UL94V-0

GWT:Nylon 66 UL94V-0,GWT 750°C

3.Color:

(blank):Natural

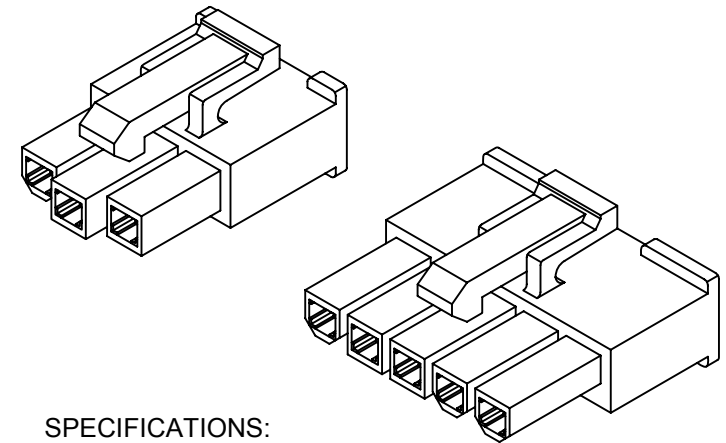
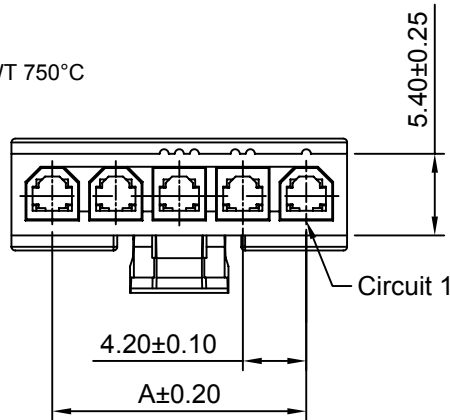
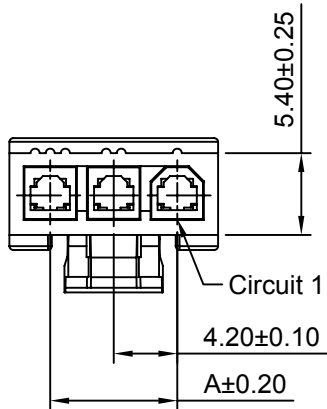
WH:White

BK:Black

RD:Red

YL:Yellow

BL:Blue



SPECIFICATIONS:

Current Rating: 9A AC,DC

Voltage Rating: 600V AC,DC

Temperature Range: -40°C ~ +105°C

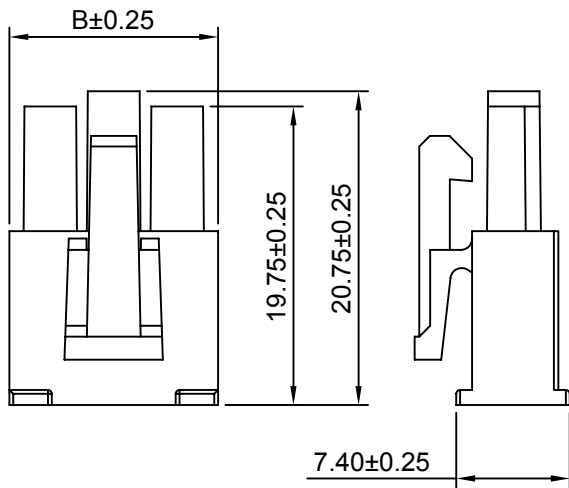
Contact Resistance: 10mΩ Max

Insulation Resistance: 1000MΩ Min

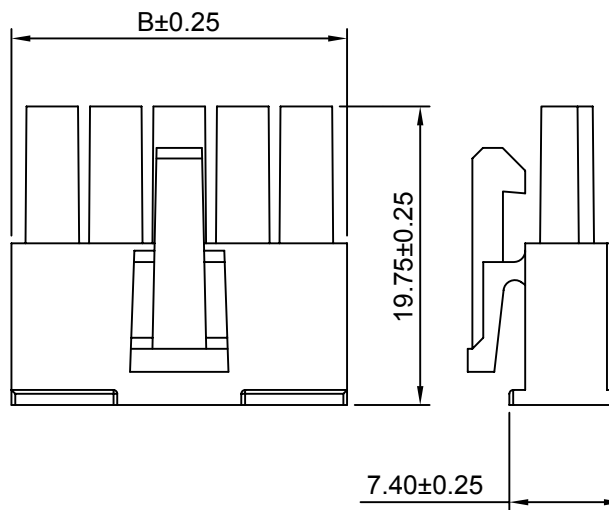
Withstanding Voltage: 1500V AC/minute

Material: Nylon 66,UL94V-2(Natural)

Ordering Information & Dimensions



3P



2P,4P~12P

Circuits	Dimensions(mm)		Circuits	Dimensions(mm)	
	A	B		A	B
2P	4.20	9.60	8P	29.40	34.80
3P	8.40	13.80	9P	33.60	39.00
4P	12.60	18.00	10P	37.80	43.20
5P	16.80	22.20	11P	42.00	47.40
6P	21.00	26.40	12P	46.20	51.60
7P	25.20	30.60			

**CJTconn**

CHANGJIANG CONNECTORS CO.,LTD.

Unit: mm  
 Scale: 2:1  
 Sheet: 1 of 1

Title: 4.20mm PITCH

Draw BY: LIZQ  
 Approved: GONGYB

Single Row Housing

General Tolerance  
 x.xx±0.25  
 x.xx±0.20  
 x.xxx±0.15



DRAW NO: C4201HF-XP

REV A0

REV	DESCRIPTION	DATE
A0	NEW RELEEASE	2005.05.10