

**Ordering Information:**

C4201HF-2x3P-A - <sup>\*\*</sup>/<sub>2</sub> - <sup>\*\*</sup>/<sub>3</sub>

1.Part No.

2.Material:

(blank):Nylon 66 UL94V-2

V0:Nylon 66 UL94V-0

GWT:Nylon 66 UL94V-0,GWT 750°C

3.Color:

(blank):Natural

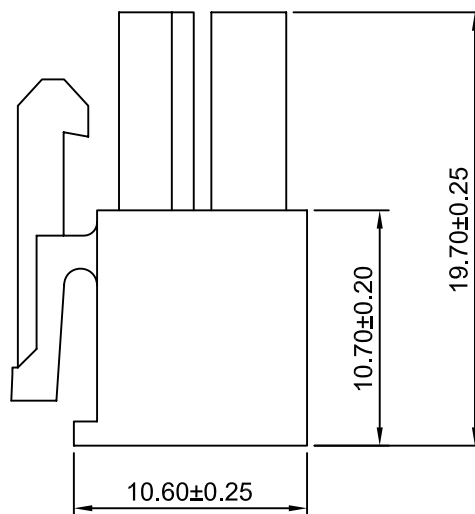
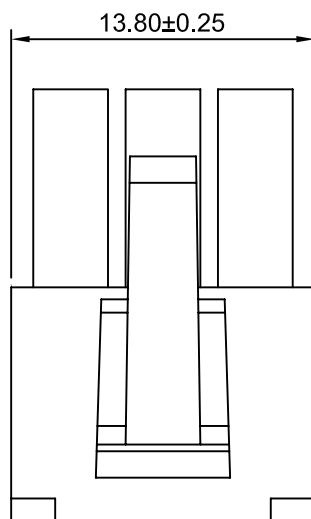
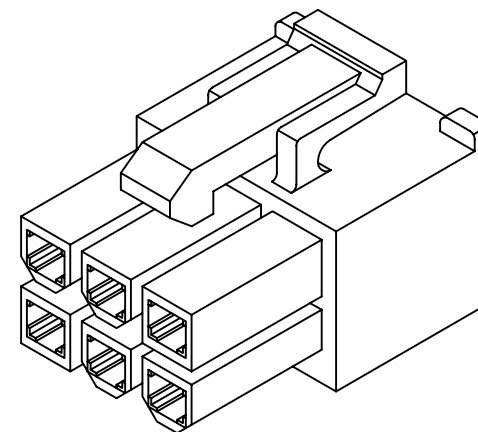
WH:White

BK:Black

RD:Red

YL:Yellow

BL:Blue



**SPECIFICATIONS:**

Current Rating: 9A AC,DC

Voltage Rating: 600V AC,DC

Temperature Range: -40°C ~ +105°C

Contact Resistance: 10mΩ Max

Insulation Resistance: 1000MΩ Min

Withstanding Voltage: 1500V AC/minute

Material: Nylon 66,UL94V-2(Black)

**CJTconn**

CHANGJIANG CONNECTORS CO.,LTD.

Unit	Scale	Sheet
mm	3:1	1 of 1

Draw BY:	Approved :
Yinzhipeng	GONGYB

General Tolerance

x.xx±0.25	ANGLE±
x.xxx±0.20	
x.xxxx±0.15	

Title :  
**4.20mm PITCH  
DUAL ROW HOUSING -  
SPECIAL TYPE**

DRAW NO : C4201HF-2x3P-A	REV A0
--------------------------	-----------

A0	NEW RELEEASE	2012.08.28	
REV	DESCRIPTION	DATE	