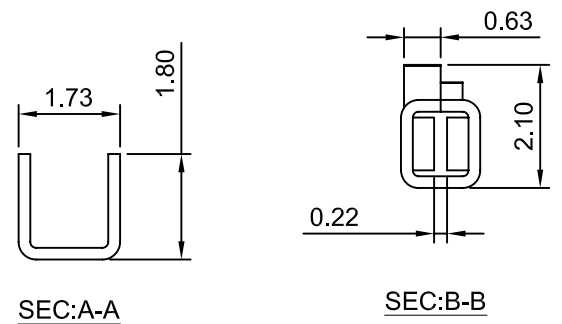


Ordering Information:
A2547-TP(GP)-D - **
 1 2

1. Part No.
 2. Finish:
 (blank) - 24 AWG
 26 - 26 AWG
 28 - 28 AWG
 22 - 22 AWG



Ordering information & Specifications

Unit:mm

Part No	Wire Range	Insultion O.D.	Material	Finish	Qty/reel
A2547-TP-D	AWG#22-#28	1.35mm(max)	Phosphor Bronze	Tin over Nickel	15,000 PCS
A2547-GP-D	AWG#22-#28	1.35mm(max)	Phosphor Bronze	Gold over Nickel	15,000 PCS

Optional Gold plating available but MOQ requested

CJTconn CHANGJIANG CONNECTORS CO.,LTD.

Unit	Scale	Sheet
mm	8:1	1 of 1

Title :

2.54mm PITCH

CRIMP TERMINAL

Draw BY:	Approved :
Jack Yin	GONGYB

General Tolerance

x.xx≤0.25	ANGLE±
x.xxx≤0.20	
x.xxxx≤0.15	



DRAW NO : A2547-T-D

REV A0

A0	NEW RELEASE	2011.03.26
REV	DESCRIPTION	DATE