

P.C.B LAYOUT
TOLERANCE:±0.05

Ordering Information:

A2361WVA-XP - ** - ***
1 2 3

1.Part NO.

2.Size C & Size D:

(Blank): C=1.80mm,D=3.50mm
(P.C.B Board thickness:1.57mm)

2: C=2.60mm,D=5.10mm
(P.C.B Board thickness:2.36mm)

3: C=3.40mm,D=5.10mm
(P.C.B Board thickness:3.18mm)

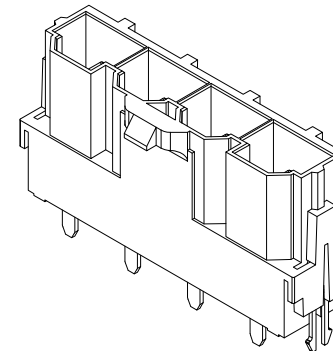
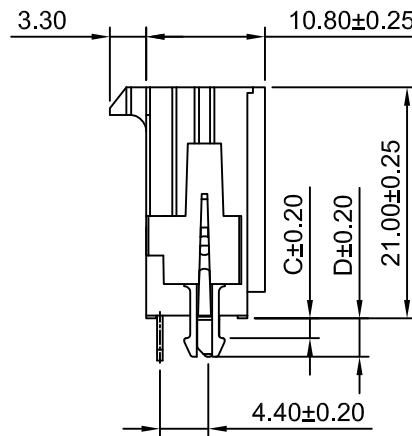
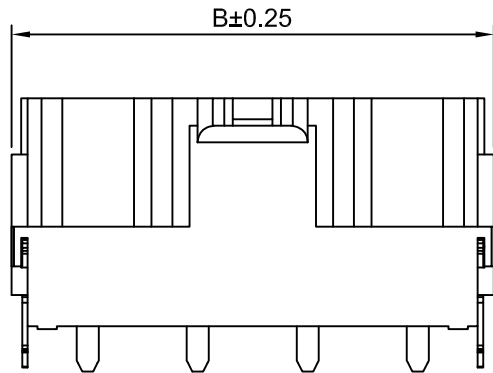
4: C=6.58mm,D=8.30mm
(P.C.B Board thickness:6.35mm)

3.Finish:

(Blank): Tin over Nickel

G: Gold over Nickel(Au:1u",Mating Area)

G30: Gold over Nickel(Au:30u",Mating Area)



SPECIFICATIONS:

Current Rating: 50A AC,DC

Voltage Rating: 600V AC,DC

Temperature Range: -40°C ~ +105°C

Contact Resistance: 10mΩ Max

Insulation Resistance: 1000MΩ Min

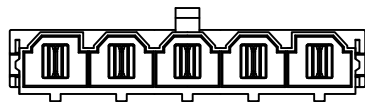
Withstanding Voltage: 1500V AC/minute

Pin Material: Phosphor Bronze

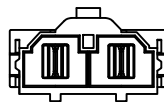
Material: Nylon 46+30%GF,UL94V-0(Black)

Ordering Information & Dimensions

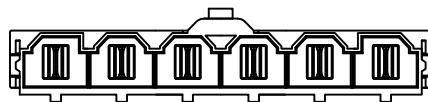
Part NO.	Dimensions(mm)	
	A	B
A2361WVA-2P	10.00	23.82
A2361WVA-3P	20.00	33.82
A2361WVA-4P	30.00	43.82
A2361WVA-5P	40.00	53.82
A2361WVA-6P	50.00	63.82



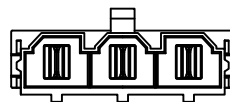
5P



2P



6P



3P

A3	CHANGE THE DRAWING	2021.02.26
A2	CHANGE THE INFORMATION	2020.10.27
A1	CHANGE THE DRAWING	2019.06.17
A0	NEW RELEASE	2017.08.02
REV	DESCRIPTION	DATE

CJTconn CHANGJIANG CONNECTORS CO.,LTD.			TITLE 10.00mm PITCH 180° WAFER	DRAWING NO. A2361WVA-XP	REV A3
Unit mm	Scale 1.5:1	Sheet 1 of 1			
DRWN Dengchun Yi	CHKD Dlankul Wan	APPR Jack Yin	THIRD ANGLE PROJECTION		
General Tolerances x.xx±0.25 x.xxx±0.20 x.xxxx±0.15 ANGLES ±1°					