

Ordering Information:

A2361M-GCA - ***

1 2

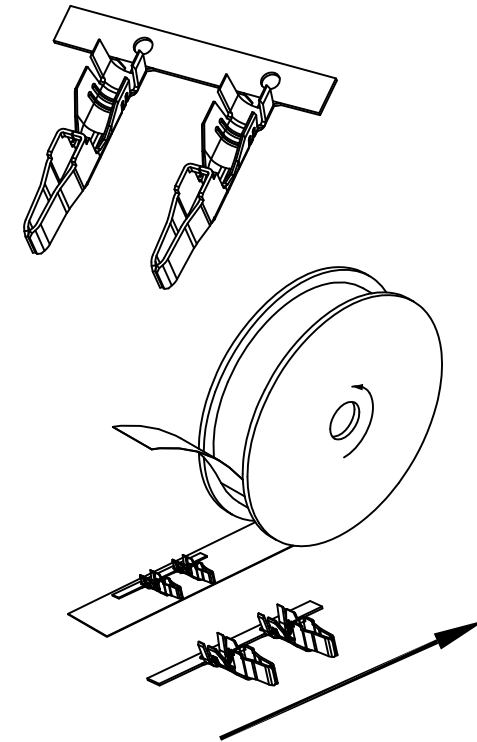
1.Part NO.

2.Finish:

(Blank): Gold over Nickel (Au:1u")

G15: Gold over Nickel (Au:15u" Mating area)

G30: Gold over Nickel (Au:30u" Mating area)



Ordering information & Specifications

Unit:mm

Part NO.	Wire Range	Insultion O.D.	Material	Finish	Qty/reel
A2361M-TCA	AWG#10-#12	5.30mm(max)	High conductive copper alloy	Tin over Nickel	2,500 PCS
A2361M-GCA	AWG#10-#12	5.30mm(max)	High conductive copper alloy	Gold over Nickel	2,500 PCS

REV	DESCRIPTION	DATE
A0	NEW RELEASE	2022.04.09
REV	DESCRIPTION	DATE

CJTconn			CHANGJIANG CONNECTORS CO.,LTD.	
Unit	Scale	Sheet	TITLE	
mm	2.5:1	1 of 1	10.00mm PITCH CRIMP FLEX TERMINAL	
DRWN	CHK'D	APPR	DRAWING NO.	
Wenmin Luo	Diankui Wan	Jack Yin	A2361M-T	
General Tolerances		THIRD ANGLE PROJECTION	REV	
x.xx±0.25			A0	
x.xxx±0.20				
x.xxx±0.15				
ANGLES ±1°				