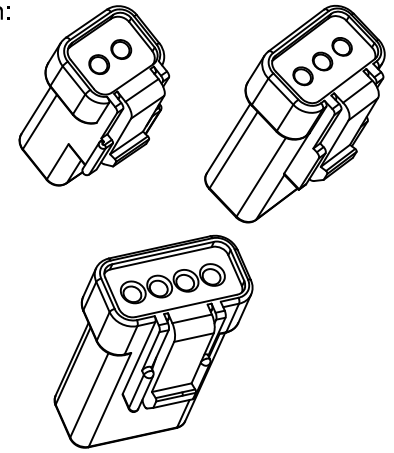


Ordering Information:

A2009HFA-XP - ***
1 2

- 1.Part No.
- 2.Color:
 (blank);White
 BK:Black
 BL:Blue



SPECIFICATIONS:

- Current Rating: 2A AC,DC
- Voltage Rating: 250V AC,DC
- Temperature Range: -40°C ~ +105°C
- Contact Resistance: 30mΩ Max.
- Insulation Resistance: 1000MΩ Min.
- Withstanding Voltage: 800V AC/minute
- Material: PBT+15%G.F,UL94V-0(White)

Ordering Information & Dimensions

Circuits	Dimensions(mm)		Circuits	Dimensions(mm)	
	A	B		A	B
2P	2.00	6.70	4P	6.00	10.70
3P	4.00	8.70			

CJTconn CHANGJIANG CONNECTORS CO.,LTD.

Unit mm	Scale 3:1	Sheet 1 of 1	Title : 2.00mm Pitch Single Row Housing
Draw By: Dlankul Wan	Approved : Jack Yin		
General Tolerance			
A1	ADD THE DRAWING OF 2P&4P	2019.05.07	DRAW NO : A2009HFA-XP
A0	NEW RELEASE	2018.12.10	
REV	DESCRIPTION	DATE	

PROJECT:

REV A1

A1	ADD THE DRAWING OF 2P&4P	2019.05.07	x.xx±0.25	PROJECT
A0	NEW RELEASE	2018.12.10	x.xx±0.20	
REV	DESCRIPTION	DATE	x.xxx±0.15	