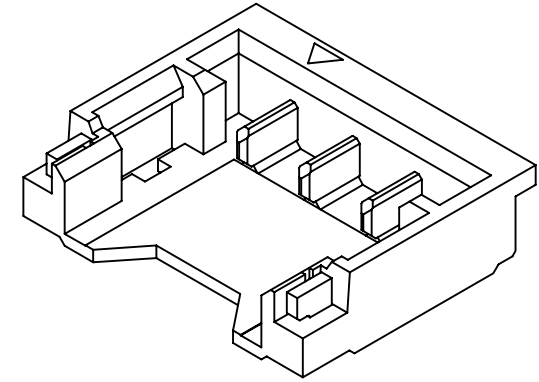


**Ordering Information:**

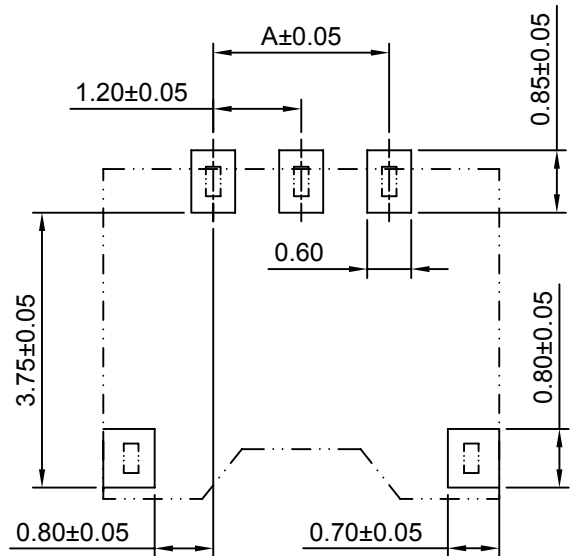
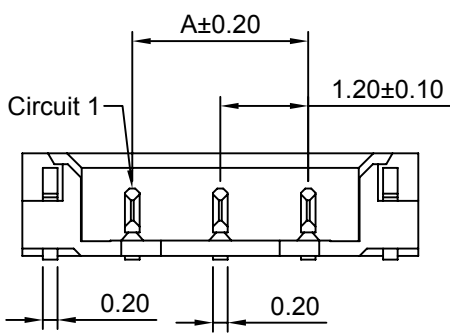
A1201WR-S-XP - \*\*  
 1 2

- 1.Part No.
- 2.Material:  
 (blank):Black  
 IV:Ivory



**SPECIFICATIONS:**

Current Rating: 2A AC,DC  
 Voltage Rating: 50V AC,DC  
 Temperature Range: -40°C ~ +105°C  
 Contact Resistance: 10MΩ Max  
 Insulation Resistance: 100MΩ Min  
 Withstanding Voltage: 500V AC/minute  
 Pin Material: Phosphor Bronze/Gold over Nickel  
 Solder Tab: Phosphor Bronze/Tin over Nickel  
 Material: Nylon 6T, UL94V-0(Black)



P.C.B LAYOUT

**Ordering Information & Dimensions**

Circuits	Dimensions(mm)			Circuits	Dimensions(mm)		
	A	B	C		A	B	C
2P	1.20	4.20	2.60	7P	7.20	10.20	8.60
3P	2.40	5.40	3.80	8P	8.40	11.40	9.80
4P	3.60	6.60	5.00	9P	9.60	12.60	11.00
5P	4.80	7.80	6.20	10P	10.80	13.80	12.20
6P	6.00	9.00	7.40				



CHANGJIANG CONNECTORS CO.,LTD.

Unit: mm, Scale: 10:1, Sheet: 1 of 1

Title: 1.20mm PITCH  
 90° Wafer - SMT TYPE

Draw BY: Moore, Approved: GONGYB

General Tolerance: x.x≤0.25, x.xx≤0.20, x.xxx≤0.15; ANGLE±

A0	NEW RELEASE	2013.04.26
REV	DESCRIPTION	DATE

DRAW NO : A1201WR-S-XP, REV A0