

Ordering Information:

A1201HA-XP - **
1 2

1.Part No.

2.Material:

(blank):White

BK:Black

SPECIFICATIONS:

Current Rating: 2A AC,DC

Voltage Rating: 50V AC,DC

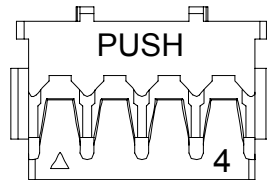
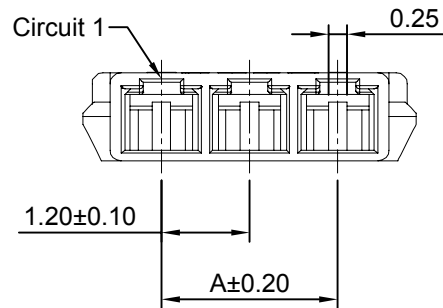
Temperature Range: -40°C ~ +105°C

Contact Resistance: 10MΩ Max

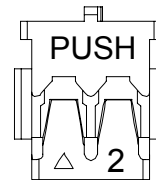
Insulation Resistance: 100MΩ Min

Withstanding Voltage: 500V AC/minute

Material: PBT,UL94V-0 (White)



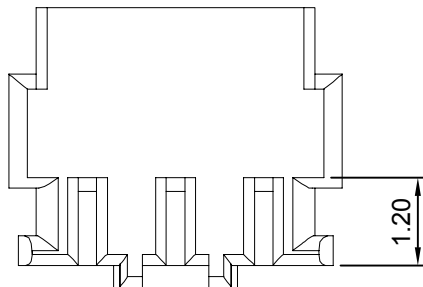
4Pin



2Pin

Ordering Information & Dimensions

Circuits	Dimensions(mm)			Circuits	Dimensions(mm)		
	A	B	C		A	B	C
2P	1.20	3.35	2.60	7P	7.20	9.35	8.60
3P	2.40	4.55	3.80	8P	8.40	10.55	9.80
4P	3.60	5.75	5.00	9P	9.60	11.75	11.00
5P	4.80	6.95	6.20	10P	10.80	12.95	12.20
6P	6.00	8.15	7.40				



CHANGJIANG CONNECTORS CO.,LTD.

Unit	Scale	Sheet
mm	10:1	1 of 1

Title :

1.20mm PITCH

Draw BY:	Approved :
Jack Yin	GONGYB

Housing

General Tolerance

			x.x≤0.25	ANGLE±
A0	NEW RELEASE	2013.04.25	x.xx≤0.20	⊕
REV	DESCRIPTION	DATE	x.xxx≤0.15	

DRAW NO :

A1201HA-XP

REV
A0